

Type

Catalog number

SPECIFICATIONS

CONSTRUCTION

- Dual-voltage input capability (120V or 277V).
- All-metal housing and gimbal assembly.
- Matte white baked enamel finish.
- High-output 8-watt halogen lamp head.
- Lamp adjusts in two planes to 26°.
- Low profile pilot light and test switch.
- Approved for use in air handling plenums.

BATTERY

- Sealed, maintenance-free lead calcium battery provides 10 watts rated capacity.
- 24-hour recharge after 90-minute discharge.
- Low voltage disconnect prevents excessively deep discharge that permanently damages the battery.

ELECTRONICS

- Current limiting charger maximizes battery life and minimizes energy consumption.
- Short-circuit protection. Current limiting charger circuitry protects printed circuit board from shorts.
- Thermal protection senses circuit, temperature and adjusts charge current to prevent overheating and charger failure.
- Regulated charge voltage maintains constant charge voltage over a wide range of line voltages. Prevents over/under charging that shortens battery life and reduces capacity.
- Brownout protection
- AC/LVD — allows battery connection before AC power is applied and prevents battery damage from deep discharge. Unit should not be left in reset mode for more than 72 hours.

CODES

- UL listed. Meets UL924, NFPA 101 (current Life Safety Code) and NFPA 70-NEC.

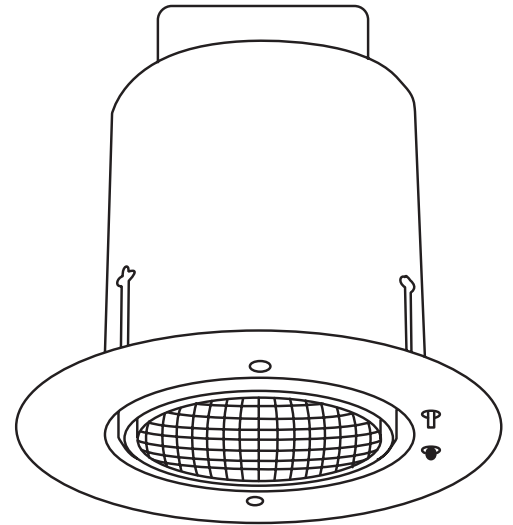
WARRANTY

- Three-year total customer satisfaction warranty.

Emergency Recessed Gimbal

ELRG

Emergency Operation



ORDERING INFORMATION

Catalog Number	Description
ELRG	Emergency lighting recessed gimbal

ELRG Emergency Recessed Gimbal

SPECIFICATIONS

ELECTRICAL

Supply voltage	AC input watts	Max. amps	VA
120	5.8	.052	6.2
277	5.9	.023	6.4

BATTERY

Sealed Lead Calcium

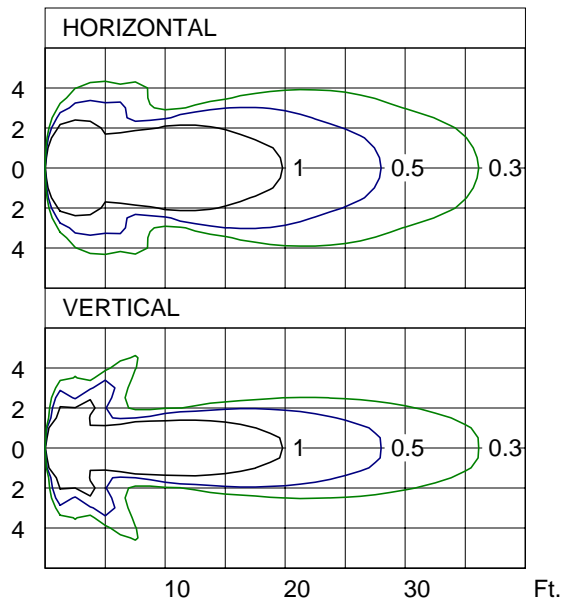
Voltage	Shelf life ¹	Expected life ¹	Maintenance	Optimum temperature ²
6	6 Months	5-8 years	none ³	60-90°F

Notes:

- 1 At 77°F.
- 2 Optimum ambient temperature range where unit will provide capacity for 90 minutes. Higher and lower temperatures affect life and capacity. Consult factory for detailed information.
- 3 Periodic system status test recommended.

PHOTOMETRICS

ELRG
6-volts, 8 watts, halogen



Replacement Lamp # 785

DIMENSIONS

Length: 8-3/8 (213)
Width: 8-3/8 (213)
Depth: 8-1/4 (210)
Weight: 6.5lbs (3kgs.)

All dimensions are inches (millimeters) unless otherwise specified.

