



Thermoplastic LED exit with programmable lighting heads.

Damp location listing is standard in all models.

Sealed Maintenance Free Batteries

- Lead calcium

Light Source (exit)

- LED, light emitting diodes

The ELXN400 SQ programmable series confronts job site mounting situations "head-on". The fully adjustable SQ heads can be configured for top mounted, side mounted, or anywhere in between without disassembly or re-wiring.

Standard Features

Reliability

- The EscortII ELXN400 SQ series has a three-year full warranty

Housing

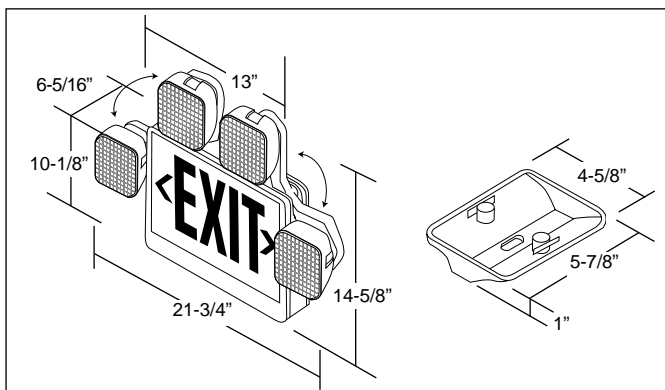
- Injection-molded UV stabilized thermoplastic housing, face plates, and canopy
- UL 94V-0 flame rating
- Innovative, snap-together design allows for fast installation
- Replaceable directional chevron inserts are easily removed and reinserted
- Two faces, backplate, and canopy
- Two fully adjustable glare-free SQ light heads for egress light

Mounting

- Wall or ceiling mounting
- Canopy snaps to housing with a twist-lock feature tightly securing the canopy to the housing

Outline and Dimensions

Dimensions are approximate and subject to change.



Electrical Features

Electrical

- 120/277VAC dual voltage operation
- Low power consumption - LED's
- LED indicator light and push button test switch
- Remote capacity - may power additional remote heads (up to 6V 12W) with additional battery
- Low voltage battery disconnect
- All models are damp location listed

Lamps

- LED's mounted on print circuit board (for exit sign)
- LED lamps are operated in normal (AC input) and emergency (DC input) modes.
- 2 x 6V 5.4 watts DC T5 wedge base lamps for emergency mode

Battery

- Sealed maintenance-free lead-calcium battery
- Additional battery available for 12 watts remote load or extended unit run time (see how to order).

Accessories (order as a separate item)

Wireguard (heads in any position)	WG10
Replacement battery	860.0004
Replacement lamp (standard).....	570.0012

How To Order

ELXN400 Series Self-powered	R Stencil Face (letters) R = Red G = Green	2SQ Light Heads ZP = Lamp standard 6V 5.4W	R Capacity Indicator Blank = No remote capacity R = 12 watts remote capacity
--	--	--	--

Do not exceed rated unit capacity.