



GS Series

6 Volt Recessed Down Light



Standard Features

- An adjustable gimbal directs the light from one (1) 6 volt 10 watt wedge-base PAR 36 lamp head.
- The low-profile trim ring is molded in tough polycarbonate with a semi-gloss white finish to complement a variety of ceilings. The fully recessed backbox is constructed of 20-gauge steel.
- Available with sealed, maintenance-free Nickel-Cadmium, Long Life Lead, or Lead-Calcium batteries.
- PulsePlus Charger circuitry offers 120/277 VAC 60 Hz., 0.3/0.15 Amp, fused output circuit(s), long life LED pilot indicator, temperature compensated, sealed relay, low voltage battery disconnect, brownout protection and lockout (automatic battery connect).
- Inconspicuously mounted and easily accessed. The test switch and LED pilot light are located on the side of the lamp ring (standard).
- A slide out chassis and two quick-connect plugs make installation and servicing easy. Adjustable bar hangers included.
- UL Listed. Complies with NEC, Life Safety Code and OSHA.
- 3-year full warranty, excluding lamps, pilot lights and fuses

Electrical

Power Requirements: 120/277 Vac, 60 Hz., 0.3/0.15 A.

Output: 6 volt, fused output circuit. **Transfer:** dust-tight, sealed relay automatically and instantly energizes lamp load upon failure of AC supply. **LVD:** low voltage battery disconnect circuit automatically shuts down lamp load and circuitry when battery reaches 87 1/2% discharge, preventing deep discharge and permanent damage to the battery. **Lockout:** labor saving electronic circuit automatically connects battery when AC circuit is activated. **Brownout:** close tolerance electronic circuit activates emergency unit when utility power dips below 80-85% of nominal voltage. **Charger:** the Pulse-Plus charging circuit utilizes an integrated circuit which samples the battery in relation to its temperature, state of charge and input voltage fluctuations. The charger is current limited, temperature compensated, shortcircuit proof and reverse polarity protected. The equipment is capable of full recharge in compliance with Underwriters Laboratories 924 specifications. **Transformer:** 120/277 Vac. **Controls:** test switch, LED pilot indicator light.

Suggested Specification

Supply and install **EMERGI-LITE®** Series **GSM** _____, or **GSC** _____ in 6 volt, with electrically compatible remote fixtures or exit signs as indicated on the plans.

TYPE GSM to be supplied with Lead Calcium battery.

TYPE GSC to be supplied with long life Nickel-Cadmium battery.

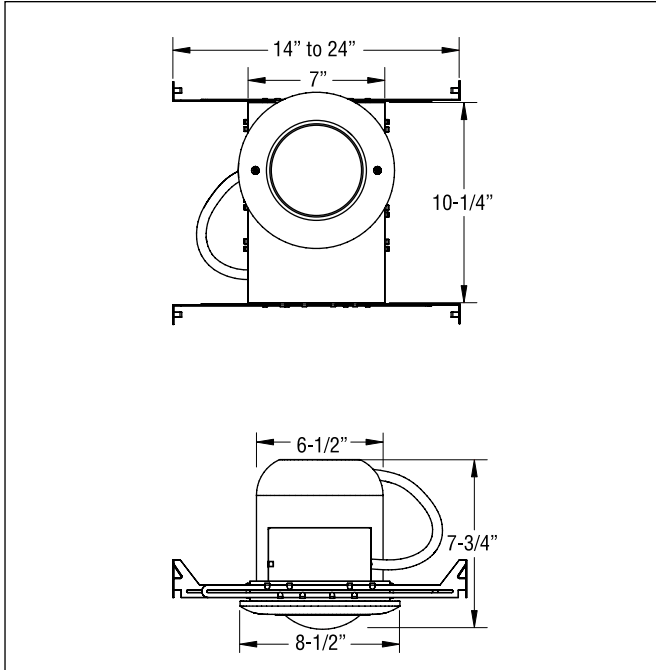
The unit shall supply the rated load for a minimum of 90 minutes to 87-1/2% of rated battery voltage. The unit shall be rated 120/277 Vac, 60 Hz and be UL Listed to Standard 924. The unit charger shall utilize an integrated circuit which samples the battery in relation to its temperature, state of charge and input voltage fluctuations. The charger shall be current limited, temperature compensated, short-circuit proof and reverse polarity protected. The unit shall be furnished with an electronic lockout circuit which will connect the battery when the AC circuit is activated, an electronic brownout circuit which will activate the unit when utility power dips below 80-85% of nominal voltage and low voltage battery protection circuit that will disconnect the load from the battery when it reaches 87-1/2% discharge. The unit shall be capable of full recharge in compliance with UL924 specifications. The unit shall be furnished with sealed dust-tight relay, a test switch and a long life LED pilot indicator light. The unit shall be designed for fully recessed installation in ceilings, including suspended grid type. Unit shall be constructed of 20 gauge steel back box with a thermoplastic matte white trim ring and gimbal assembly. Unit will be furnished with one (1) 6V 9W PAR 36 size light head. Fused output terminals shall be provided for ease of remote lamp connections.

Unit shall be EMERGI-LITE® catalog number _____.

*Supplied with 24" bar hanger standard.

Outline and Dimensions

Dimensions are approximate and subject to change.



Unit Warranty*

Entire unit (excluding lamps and fuses) carries a 3-year Full Warranty.

Battery Warranty*

Unit batteries are warranted as follows:

Sealed Nickel-Cadmium: GSC – 10-year life expectancy, 5-year Full Warranty, plus 5-year pro-rata warranty.

Sealed Long-Life Lead: GSE – 12-year life expectancy, 5-year full warranty, plus 5-year pro-rata warranty.

Sealed Lead Calcium: GSM – 8-year life expectancy, 3-year Full Warranty, plus 3-year pro rata warranty.

*Subject to proper installation and maintenance

Accessories (order as a separate item)


Description	Add Suffix
Remote Test Switch (metal face plate)	RTS
Remote Text Switch (plastic face plate)	RTS-1

Unit Rating Chart

The GSM10 unit is furnished with one 6 volt 10 watt wedge-base lamp.
Other wattages available, see lamp data sheet for selection of PAR lamps.

Unit Equipment – NO REMOTE capability						
Sealed Maintenance-Free Battery Types	D.C. Voltage	Model Number	Watts to 87 ^{1/2} % of rated battery voltage*			
			1 1/2 HRS.	2 HRS.	3 HRS.	4 HRS.
Lead-Calcium	6	GSM10-BH	10	8	–	–
Long Life Lead	6	GSE9-BH	8	–	–	–
Unit Equipment – WITH REMOTE capability						
Nickel-Cadmium	6	GSC18-BH	18	12	9	–

*National Electrical Code Specification

 = New York City Approved

How to Order

Color	Series	Battery/Wattage Type	Lamp Option	Mounting Options	Approval
Blank= White B= Black	GS= Series	M10= Lead calcium 10W E9= Long life lead 9W E18= Long life lead 9W C18= Nickel-cadmium	Sealed Beam Incandescent *Only C18 has other lamps available. See lamp data sheet in general information section for details.	BH= Bar hanger (standard)	-NYC= New York Approved model* *Includes 12 watt lamp and metal trim.

EXAMPLE: BGSM10BH-NYC

For standard units without options only order Series, Battery and Watts.
Options are added to units by listing suffix at end of model number
NOTE: Includes standard lamp (570.0016)

Thomas & Betts