

SURE-LITES®

-49°F to +140°F



UX SERIES

**Ultimate Exit
AC Only
Self-Powered**

EXIT LIGHTING

- > NEMA 4X Listed
- > Operating temperature
-45°C (-49°F) to 60°C (+140°F)
- > Dual voltage input 120/277 VAC, 60Hz Isolation Transformer
- > Die Cast aluminum housing with powder coat finish
- > LED Lamping
- > Premium Nickel Cadmium batteries
- > Exit can be universally mounted ceiling, wall or end
- > Field selectable chevrons
- > Universal pattern knockouts on rear of single face housing for direct mounting to junction box
- > Pendant mounting
- > Watchguard EMS Self-diagnostic system
- > Laser Testing
- > T6 HAZ lamp rating
- > IP66, Ingress Protection from IEC (International Electrical Commission)
- > UL844, Hazardous Locations (Class 1, Division 2, Groups A, B, C, D) with "HAZ" option
- > UL FTBR Listed when specified with the "2C" option
- > Suitable for Floor Proximity Installation, UL Listed, ADA (American Disabilities Act)
- > NSF National Sanitation Foundation / Splash Zone (for Food Processing)
- > Cleanrooms Class 10,000
- > UL 924 Wet Location (Suitable for wet and damp locations), Life Safety NFPA 101, Meets most state and local codes
- > Patents Pending

DESCRIPTION

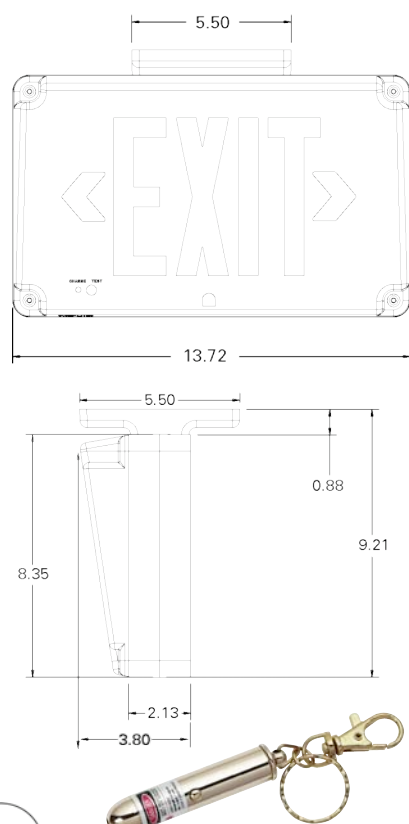
The Sure-Lites UX NEMA 4X LED Exit combines the strength and durability of die cast aluminum with architecturally pleasing aesthetics. Designed for the most severe environments, the UX exit will provide maximum performance against rain, moisture, cold, corrosives and dust. Universal configurations (single and double face) and universal mounting provide the ease of one product specifying for any job. The injection molded, clear, polycarbonate shield not only provides protection against moisture and rain, but vandalism as well. (4) Torx® head tamperproof screws with center-pin reject provide additional vandal-proof security.

The unique design and features make the UX Exit compatible in food processing facilities, outdoor parking garages, walk-in freezers and other indoor/outdoor severe environments. The UX Exit is approved for ambient environments rated from -45°C (-49°F) up to +60°C (+140°F).

Self-Diagnostics

The self-diagnostic unit will automatically perform the tests required by the NFPA 101 Life Safety Code. The system indicates the status of the unit at all times using an LED indicator that is located near the test switch.

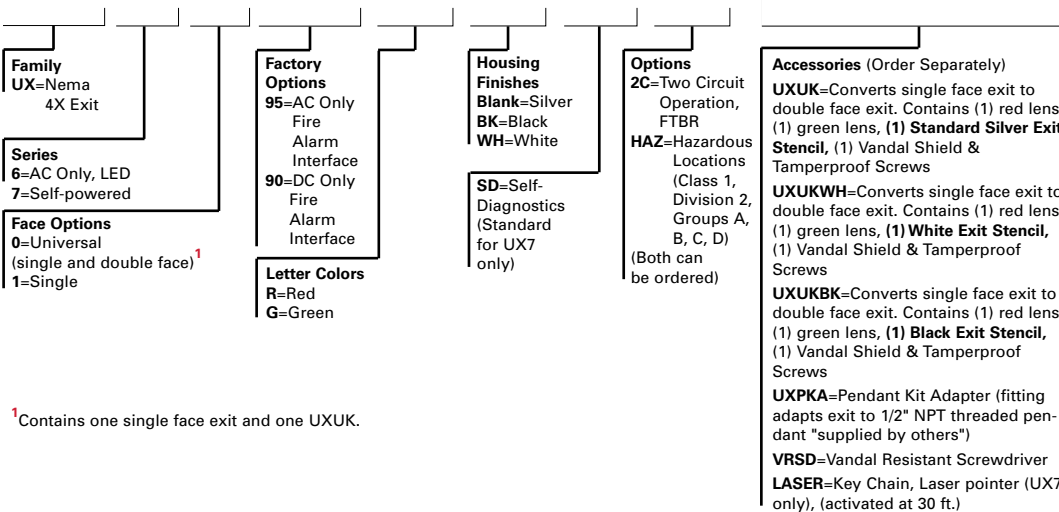
Sure-Lites® 023-414	
WatchGuard EMS	
Indicator	Meaning
● Steady	Float Charge
● Pulse	High Charge
● - -	Battery Failure
● - ● -	Circuit Failure
● - ● - ● -	Lamp Failure
TEST	INDICATOR



Verify proper operation of the transfer circuit and emergency lamps with a convenient laser pointer (sold as an accessory).

ORDERING INFORMATION

SAMPLE NUMBER: UX61R



Energy Data – AC Only Exits

	Input Power:		Input Current (Max.):		Power Factor:		T.H.D.:	
	120V	277V	120V	277V	120V	277V	120V	277V
LED Exits								
LED Exits -Red Letters	2.7W	3.2W	.07A	.04A	> .30	> .39	< 56%	< 69%
LED Exits -Green Letters	2.3W	3.0W	.08A	.03A	> .26	> .36	< 54%	< 67%

Energy Data – Self-Powered Exits

	Input Power:		Input Current (Max.):		Power Factor:		T.H.D.:	
	120V	277V	120V	277V	120V	277V	120V	277V
LED Exits								
LED Exits -Red Letters	3.4W	3.2W	.07A	.04A	> .37	> .39	< 64%	< 69%
LED Exits -Green Letters	3.1W	3.0W	.08A	.04A	> .34	> .36	< 63%	< 67%