

BLEDEM

LED EMERGENCY BALLAST



STANDARD



ILLUMINATION

- Works in conjunction with AC driver to operate LED lighting fixture in emergency mode.
- Operates connected load in the emergency mode for a minimum of 90-minutes.
- Provides full lumen output on connected LED board.

ELECTRICAL

- Dual 120V/277 voltage or 120V/230 voltage.
- 300mA constant current source.
- Charge rate/power 'ON' LED indicator light and push-to-test switch for mandated code compliance testing.
- Long life, maintenance-free, rechargeable Ni-Cd battery.
- Internal solid-state transfer switch automatically connects the internal battery to LED board for minimum 90-minute emergency illumination.

MOUNTING

- Factory installation only.
- Can be used in both switched and unswitched fixtures.

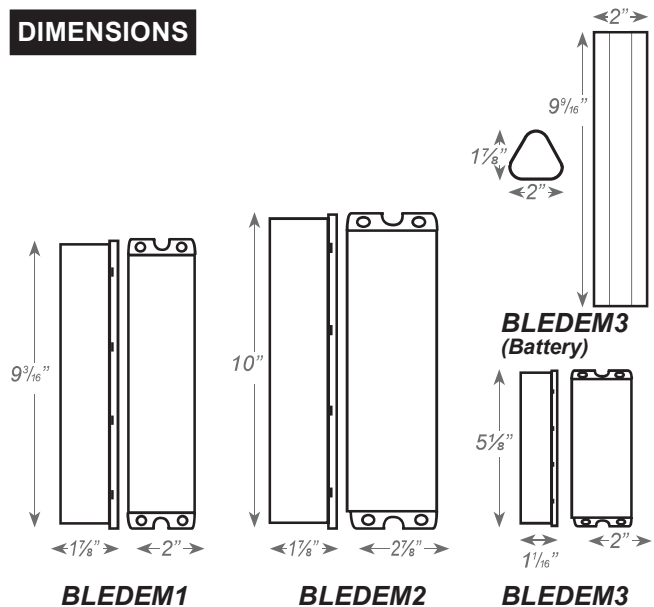
HOUSING

- Durable painted steel construction in white finish.

WARRANTY / LISTING

- Five year warranty against defects in material and workmanship (lamps excluded).
- Meets UL924, NFPA 101 Life Safety Code, NEC, OSHA, Local and State Codes.
- Suitable for Damp locations (0°C – 50°C).

DIMENSIONS



OUTPUT RATINGS:

MODEL #	WATTAGE CAPACITY	OUTPUT CURRENT	OUTPUT VOLTAGE
BLEDEM-1-1020	2.4 to 6 WATTS	300 MILLIAMPS	10 TO 20 VOLTS DC
BLEDEM-2-2035	6 to 10.5 WATTS	300 MILLIAMPS	20 TO 35 VOLTS DC
BLEDEM-3-2025	6 to 7.5 WATTS output 1	300 MILLIAMPS	20 to 25 VOLTS DC
BLEDEM-3-2025	6 to 7.5 WATTS output 2	300 MILLIAMPS	20 to 25 VOLTS DC

ORDERING INFORMATION

Sample Part Number: **BLEDEM-2-2035-120/277**

MODEL	VOLTAGE		OPTIONS	
BLEDEM	-1-1020	6 Watts at 10-20VDC	-120/277	Voltage
	-2-2035	10 Watts at 20-35VDC	-120/230	Voltage
	-3-2025	15 Watts at 20-25VDC		

www.emergency-lighting.com

BALLASTS

BLEDEM