

BOXLED®

NEMA 4X | IP66 | IK09 | COLD



HIGH BAY

- **BOXLED®** High-Bay Luminaires for Commercial and Industrial applications.
- **REFLECTOR:** Parabolic aluminum louvers available with medium, wide, or asymmetrical distribution options. Micro prismatic tempered glass diffuser provides optimized light distribution for a visually comfortable and glare free environment.
- The **BOXLED®** is wet location, IP66 rated. Durable powder coated die-cast construction provides resistance against corrosion, flame and chemicals.
- **LUMENS:** LO: 14993 up to 16430 lm
HO: 23776 up to 26076 lm
- **OPERATING TEMP:**
HT (AC Only) -22°F to 104°F (-30°C to 40°C)
EM 32°F to 104°F (0°C to 40°C)
- **WEIGHT:** 17 lbs / 7.7 kg



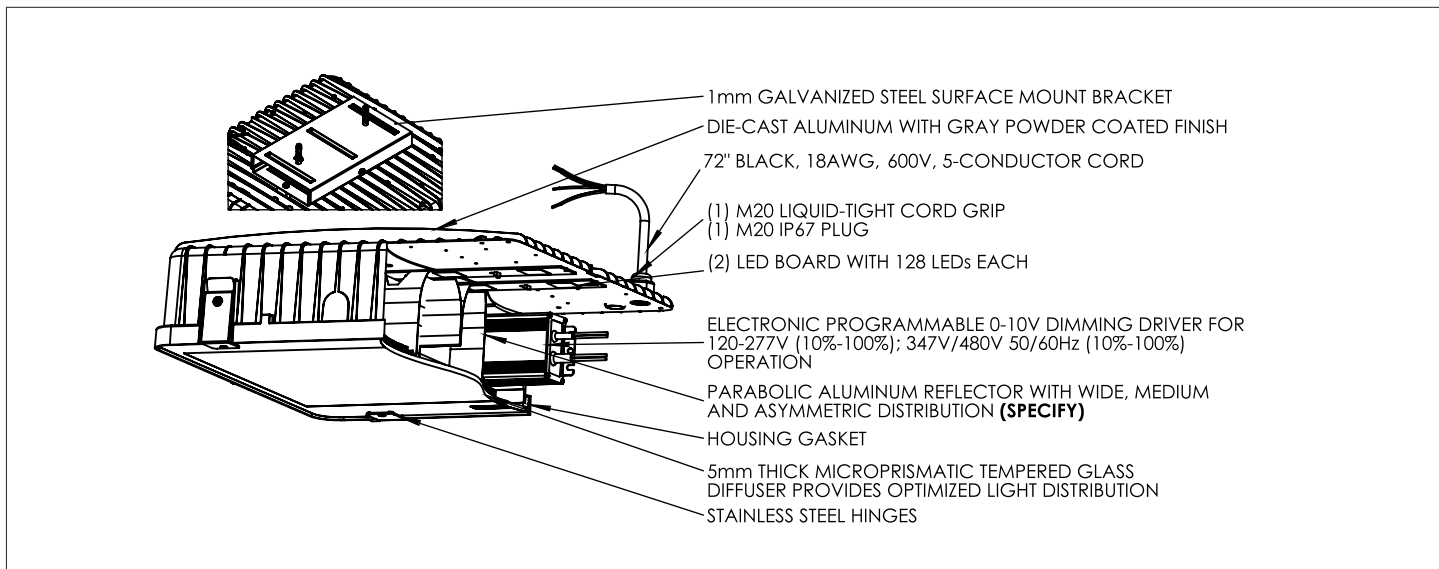
APPLICATION: The **BOXLED®** is ideal for damp or wet applications including warehouses, factories, gymnasiums, loading docks, logistic centers, mining, carwash, agriculture and open ceiling environments.

CONFIGURATIONS

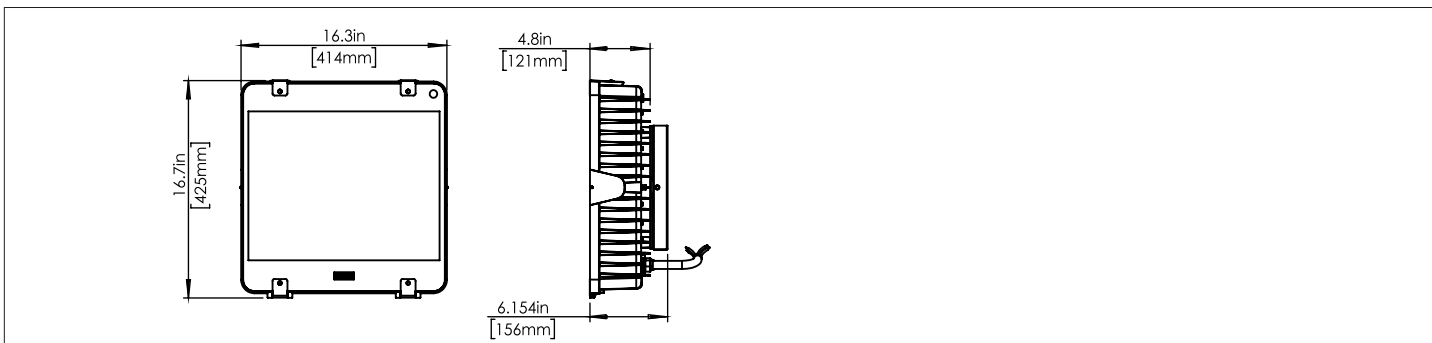
MODEL	OPERATION	OUTPUT	DISTRIBUTION	COLOR TEMP	INPUT	MOUNTING	OPTIONS
BL736LED	HT	LO	MBD (medium beam)	WT35 (3500K)	120-277V	SM ¹ (surface mount)	EM ⁵ (emergency back up-remote)
		HO	WBD (wide beam)	WT40 (4000K)	347V	AC ² (aviation cable)	SS (stainless steel clips)
			ASY (asymmetric beam)	WT50 (5000K)	480V	CH ³ (chain hang kit)	FP (fuse protection - 3A)
						PK ⁴ (pendant kit)	SP (surge protector - 10KA)
						SVLPK ⁴ (swivel pendant kit)	NODL ⁶ (integrated node - LOGICA)
						HK (hook mount)	EOSL ⁶ (external occupancy sensor - LOGICA)
							WG (wire-guard)
							XSP ⁷ (xtra strong product)

NOTE 1: Surface mount is standard.
 NOTE 2: Specify length for AC: 50", 72", 100", 150", 250"; specify for others.
 NOTE 3: Specify length for CH: 12", 24", 36", 48", specify for others.
 NOTE 4: Specify length for PK: 12" 24", 48", specify for others.
 NOTE 5: Title 20 Field installation emergency pack (120-277V); LO & HO: 17W; 2292 lm; (wet location required nema box).
 NOTE 6: Logica (Beghelli wireless and powerless control solutions). Contact factory for more details.
 NOTE 7: Natatorium application. Contact factory.

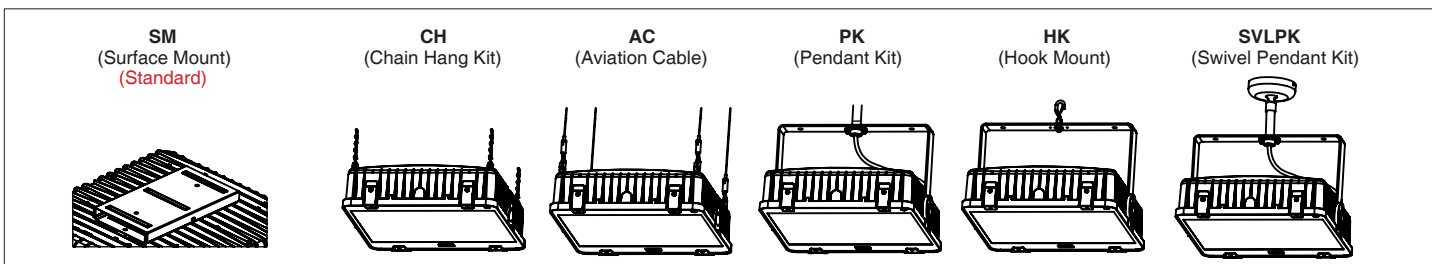
TECHNICAL INFORMATION



DIMENSIONS



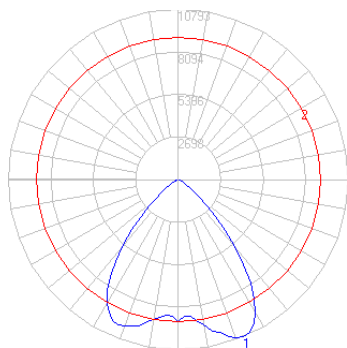
MOUNTING OPTIONS



PHOTOMETRICS

BL736LEDHTLOWT40WBD120-277V

POLAR CURVES

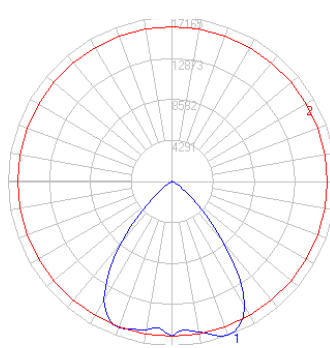


Characteristics

Electronic driver	
LED 4000°K	
Lumens Per Lamp	N.A. (absolute)
Total Lamp Lumens	N.A. (absolute)
Luminaire Lumens	15478
Total Luminaire Efficiency	N.A.
Luminaire Efficacy Rating (LER)	103
Total Luminaire Watts	150
Ballast Factor	1.00
CIE Type	Direct
Spacing Criterion (0-180)	1.20
Spacing Criterion (90-270)	1.26
Spacing Criterion (Diagonal)	1.22

BL736LEDHTHOWT40WBD120-277V

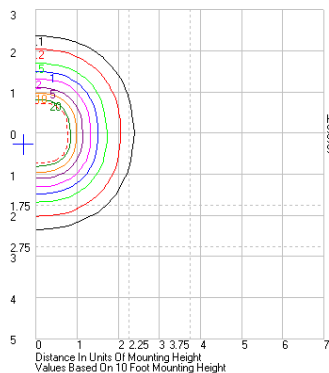
POLAR CURVES



Characteristics

Electronic driver	
LED 4000°K	
Lumens Per Lamp	N.A. (absolute)
Total Lamp Lumens	N.A. (absolute)
Luminaire Lumens	24543
Total Luminaire Efficiency	N.A.
Luminaire Efficacy Rating (LER)	107
Total Luminaire Watts	230
Ballast Factor	1.00
CIE Type	Direct
Spacing Criterion (0-180)	1.14
Spacing Criterion (90-270)	1.18
Spacing Criterion (Diagonal)	1.16

ISOLINES

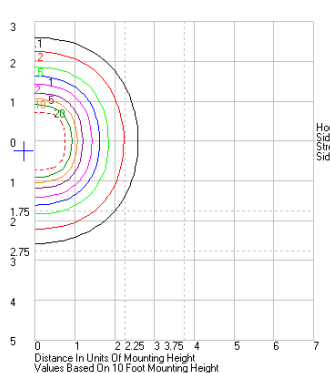


Zonal Lumen Summary

Zone	Lumens	%Lamp	%Fixt
0-20	3592.33	N.A.	23.20
0-30	7969.68	N.A.	51.50
0-40	12156.26	N.A.	78.50
0-60	15121.98	N.A.	97.70
0-80	15453.71	N.A.	99.80
0-90	15478.42	N.A.	100.00
10-90	14028.48	N.A.	94.50
20-40	8563.93	N.A.	55.30
20-50	10781.93	N.A.	69.70
40-70	3207.23	N.A.	20.70
60-80	331.73	N.A.	2.10
70-80	90.21	N.A.	0.60
80-90	24.72	N.A.	0.20
90-110	0.00	N.A.	0.00
90-120	0.00	N.A.	0.00
90-130	0.00	N.A.	0.00
90-150	0.00	N.A.	0.00
90-180	0.00	N.A.	0.00
110-180	0.00	N.A.	0.00
0-180	15478.42	N.A.	100.00

Total Luminaire Efficiency = N.A.%

ISOLINES



Zonal Lumen Summary

Zone	Lumens	%Lamp	%Fixt
0-20	6084.39	N.A.	24.80
0-30	13109.8	N.A.	53.40
0-40	19583.74	N.A.	79.80
0-60	24011.8	N.A.	97.80
0-80	24507.68	N.A.	99.90
0-90	24542.59	N.A.	100.00
10-90	23048.56	N.A.	93.90
20-40	13499.35	N.A.	55.00
20-50	16821.38	N.A.	68.50
40-70	4789.34	N.A.	19.50
60-80	486.08	N.A.	2.00
70-80	134.81	N.A.	0.50
80-90	34.71	N.A.	0.10
90-110	0.00	N.A.	0.00
90-120	0.00	N.A.	0.00
90-130	0.00	N.A.	0.00
90-150	0.00	N.A.	0.00
90-180	0.01	N.A.	0.00
110-180	0.00	N.A.	0.00
0-180	24542.59	N.A.	100.00

Total Luminaire Efficiency = N.A.%

ELECTRICAL RATING

DIMMER COMPATIBILITY

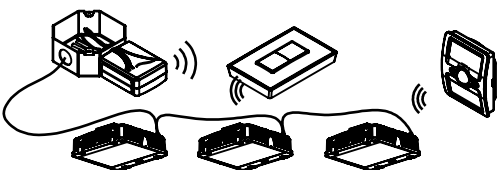
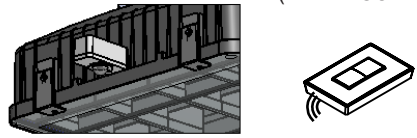

PRODUCT	NOMINAL POWER (W)	AC CURRENT (A)		FREQUENCY (HZ)	DC VOLTAGE (V)	DC CURRENT (MA)
		120V	277V			
BL736LED-HT-LO	150	1.28	0.55	50/60	50	2700
BL736LED-HT-HO	230	1.96	0.85	50/60	50	4100

DIMMER	COMPATABILITY	
	ON / OFF	DIMMING
LEVITON - AWRMG - 7	YES	YES
LUTRON - DIVE - DVSTV	YES	YES
LUTRON - DIVE - DVTV	YES	YES
WATT STOPPER DCLV1	YES	YES

ENERGY CHART

MODEL	EFFICACY	CONSUMPTION WATTAGE	LUMEN OUTPUT	CRI	L70 (hrs.)
BL736LED-HT-LO-WBD-WT35-120-277V	100 lm/W	150	14993	>80	>60,000
BL736LED-HT-LO-WBD-WT40-120-277V	103 lm/W	150	15470	>80	>60,000
BL736LED-HT-LO-WBD-WT50-120-277V	110 lm/W	150	16430	>80	>60,000
BL736LED-HT-HO-WBD-WT35-120-277V	103 lm/W	230	23776	>80	>60,000
BL736LED-HT-HO-WBD-WT40-120-277V	107 lm/W	230	24543	>80	>60,000
BL736LED-HT-HO-WBD-WT50-120-277V	113 lm/W	230	26076	>80	>60,000

LOGICA (WIRELESS & POWERLESS LIGHTING CONTROL SOLUTIONS)

DAISY CHAIN FIXTURES (RLYL)			EXTERNAL NODE & SENSOR (EOSL) (WET LOCATION)	
<p>LOG-RLY WIRELESS RELAY (DAMP LOCATION)</p>	<p>LOG-ESRP SWITCH (ACCESSORY) (DAMP LOCATION)</p>	<p>LOG-ML2 REMOTE SENSOR (ACCESSORY) (DAMP LOCATION)</p>	<p>LOG-HBKO10V/HBKOD NODE & SENSOR (KNOCK-OUT)</p>	<p>LOG-ESRP SWITCH (ACCESSORY) (DAMP LOCATION)</p>
				
<p>DAISY CHAIN - 13 FIXTURES; 18 FT MAX. (base on 12AWG) (daisy chain by others)</p> <p>FOR DETAILS PLEASE SEE LIGHTING CONTROL SOLUTION CONFIGURATION.</p>			<p>INTEGRATED NODE (NODL)</p>	
<p>LOG-10V12/DRD (NODE 0-10V/DALI) (INTEGRATED)</p>	<p>LOG-ESRP SWITCH (ACCESSORY) DAMP LOCATION</p>	<p>LOG-ML2 REMOTE SENSOR (ACCESSORY) DAMP LOCATION</p>		
				

■ **WARRANTY:** 5 year warranty, see website for full warranty details.