

CAELXTE

CHICAGO APPROVED EDGELIT ALUMINUM EXIT/STAIR SIGN

STANDARD



ILLUMINATION

- Ultra-bright, energy efficient, long-lasting white LEDs provide uniform illumination.
- UV stabilized, silk screened acrylic panels provide consistent, uniform illumination.

ELECTRICAL

- Dual 120V/277 voltage.
- Charge rate/power "ON" LED indicator light and push to test switch for mandated code compliance testing.
- 4.8V Long-life, maintenance-free, rechargeable NiCd battery (EM models only).
- Internal solid-state transfer switch automatically connects the internal battery to LED board for minimum 120-minute emergency illumination.
- Fully automatic solid-state, two-rate charger initiates battery charging to recharge a discharged battery in 24 hours.

MOUNTING

- Die-cast aluminum mounting canopy provided for universal top, end or back mount.

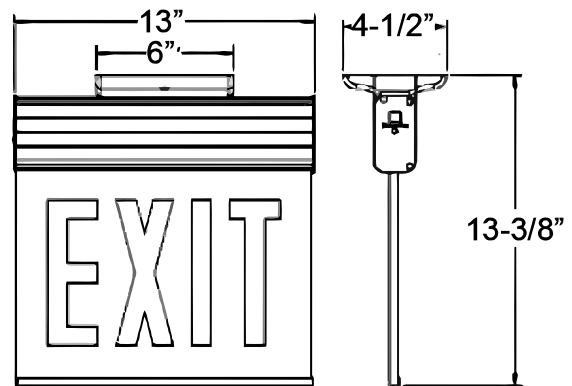
HOUSING

- Premium-grade, extruded aluminum housing (also available in optional white powder-coated finish).
- Single or double face configurations.

WARRANTY/LISTING

- Five year warranty on all electronics and housing. Battery prorated for five years.
- UL listed for damp locations (0° – 50°C).
- Meets UL924, NFPA101 Life Safety Code, NEC, OSHA, Local and State Codes.
- Meets city of Chicago requirements.
- Certified to CEC under Title 20 Regulations.

DIMENSIONS



ORDERING INFORMATION

Sample Part Number: CAELXTEU1RWAEM-NA

Model	No. of faces	Letter	Housing	Battery	Signage / Directional Arrows
CAELXTEU	1 Single Face	RW Red On White	A Aluminum	(blank) AC-Only	-NA Exit No Arrow
	2 Double Face		W White	EM Battery Backup	-S-NA Stair No Arrow
					-DA Exit Double Arrow
					-S-DA Stair Double Arrow
					-RA ¹ Exit Right Arrow
					-S-RA ¹ Stair Right Arrow
					-LA ¹ Exit Left arrow
					-S-LA ¹ Stair Left Arrow
					-LARA ² Exit Left/Right Arrow
					-S-LARA ² Stair Left/Right Arrow

¹ Available in single face configuration only.

² Available in double face configuration only.

www.emergency-lighting.com