



CAXTE

CHICAGO APPROVED STEEL EXIT/STAIR SIGN

EXIT

STANDARD



ILLUMINATION

- Ultra-bright, energy efficient, long-lasting white LEDs provide uniform illumination.

ELECTRICAL

- Dual 120V/277 voltage.
- Charge rate/power "ON" LED indicator light and push to test switch for mandated code compliance testing.
- 4.8V Long-life, maintenance-free, rechargeable NiCd battery (EM models only).
- Internal solid-state transfer switch automatically connects the internal battery to LED board for minimum 120-minute emergency illumination.
- Fully automatic solid-state, two-rate charger initiates battery charging to recharge a discharged battery in 24 hours.

MOUNTING

- Mounting canopy included for top or end mount.
- Universal knockout pattern on backplate for wall mount.

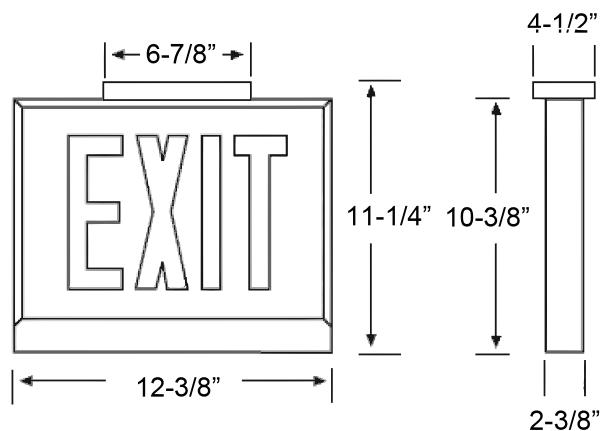
HOUSING

- Durable, powder-coated 20-gauge steel construction in white or black finish.
- Unique design allows double face conversion in the field.

WARRANTY/LISTING

- Five year warranty on all electronics and housing. Battery prorated for five years.
- UL listed for damp locations (0° – 50°C).
- Meets UL924, NFPA101 Life Safety Code, NEC, OSHA, Local and State Codes.
- Meets city of Chicago requirements.
- Certified to CEC under Title 20 Regulations.

DIMENSIONS



ORDERING INFORMATION

Sample Part Number: CAXTEU1RWEM-NA

Model	No. of faces	Letter	Housing	Battery	Signage / Directional Arrows	
CAXTEU	1	Single Face	R Red	W White	(blank) AC-Only	-NA Exit No Arrow
	2	Universal Single/Double Face	R Red On White	B Black	EM Battery Backup	-S-NA Stair No Arrow -DA Exit Double Arrow -S-DA Stair Double Arrow -RA ¹ Exit Right Arrow -S-RA ¹ Stair Right Arrow -LA ¹ Exit Left arrow -S-LA ¹ Stair Left Arrow -LARA ² Exit Left/Right Arrow -S-LARA ² Stair Left/Right Arrow

¹ Available in single face configuration only.

² Available in double face configuration only.

www.emergency-lighting.com

CAXTE