

CHLORIDE

by Signify

Exit/Emergency

TMF/TNM series

Die formed steel unit, 12V, 25-450W



Project: _____
Location: _____
Cat.No: _____
Type: _____
Lamps: _____ Qty: _____
Notes: _____

Example: TMF50NY2IC

Series/Battery	Lamp Heads*	# of Heads	IC	Options
12 V, Lead Calcium TMF50 - 50 W TMF75 - 75 W TMF100 - 100 W TMF150 - 150 W TMF200 - 200 W TMF250 - 250 W TMF300 - 300 W TMF450 - 450 W	12 V, Nickel Cadmium TNM25 - 25 W TNM50 - 50 W TNM75 - 75 W TNM100 - 100 W TNM125 - 125 W TNM150 - 150 W 12 VDC Tungsten NY - 12 W E - 18 W K - 25 W G - 30 W 12 VDC Halogen B - 12 W M - 30 W NF - 50 W (MR16 Metal Lamp Heads) 12 VDC Halogen M20 - 20 W, 40° M35 - 35 W, 25° M35F - 35 W, 40° Flood M50 - 50 W, 25° M50F - 50 W, 40° Flood (MR16 LED Lamp Heads) 12 VDC LED M7F - 7 W, 35°	Blank - No Heads 1 - One 2 - Two 3 - Three ⁴	IC - Intelli-Charge Diagnostics	A - Ammeter BD - Battery Disconnect Switch BM - Lamp Heads Installed on Bottom of Enclosure ² DL - UL Damp Location Listed (0°C to 40°C) EX - Special Input Transformer (specify voltage & frequency) ¹ F1 - 120 VAC Input Fuse F2 - 277 VAC Input Fuse P1 - 120 VAC Power Switch P2 - 277 VAC Power Switch SM - Lamp Heads Installed on Side of Enclosure ³ SP - Special Paint, Specify Color T - Self-Testing Diagnostics TA - Audible Self-Testing Diagnostics TD - Time Delay, 15 Minutes V - Voltmeter

Accessories
(Order Separately)
ICIR - Intelli-Charge Infra-Red Remote
SSMP - Mounting Plate (25-50 W)
SMMP - Mounting Plate (75-150 W)
SLMP - Mounting Plate (200-450 W)
SKIT - Strapping Kit For Use With Mounting Plates To Affix To Columns, Poles and I-beams
WG5 - Wire Guard (25-150 W)
WG - Wire Guard (200-450 W)

Footnotes

- ¹ Some option combinations may impact UL listing. Consult factory for specifics.
- ² Bottom mounted lamp heads (BM) available on 75 W models and above.
- ³ Side mounted lamp heads (SM) are not installed onto the enclosure at the factory.
- ⁴ 75-450 W units only.

codes and standards

- UL listed to Standard 924
- UL damp location listing option 32°F (0°C) to 104°F (40°C) IBC, BOCA, and OSHA illumination standard
- NFPA 101 (Life Safety Code)
- NFPA 70 (National Electric Code)
- City of Chicago approved (all models)
- New York City approved

construction

- Enclosure is constructed of 20 gauge steel (25-50 W) or 18 gauge steel (75-450 W) with a 20 gauge cover and a white corrosion-resistant, epoxy powder coat finish.
- Nine standard and custom colors available, consult factory.

installation

- Easily mounted with key hole slots or optional mounting plates.
- All housings have six available 1/2" conduit knockouts.
- 1/4" toggle bolts are recommended for installation.

electronics

- 120/277 VAC dual voltage input with surge protection is standard on all models.
- All models feature the Intelli-Charge circuit where the charging system is microprocessor driven with software embedded diagnostic routine and temperature compensation.
- All models include brownout detection, AC lockout, low voltage disconnect, AC power indicator, charge status indicator, audible user-interface controls, visual LED system fault indicator, and tactile push-to-test switch.
- Additional equipment safety features include reverse battery polarity detection and protection, and reverse utility power detection and protection.
- All models include an on-board IR receiver for use with the optional hand-held remote (ICIR).
- (optional) self-testing electronics
The diagnostic/charging platform with optional self-testing mode automatically runs a one-minute self-test every 30 days and a 30-minute test on the sixth and twelfth month in accordance with NFPA 101.
A one minute or 90 minute test may be initiated via the push to test switch on the unit or by activating the appropriate test command on the optional IR test device.

TMF/TNM Die formed steel unit

12V, 25-450W

- operating temperature range
Standard Location: 65°F (19°C) to 85°F (30°C).
Damp Location: 32°F (0°C) to 104°F (40°C).
- power consumption
12 V lead calcium, 50-200 W units - 0.393 A (120 VAC),
0.173 A (277 VAC)
12 V lead calcium, 250-450 W units - 0.560 A (120 VAC),
0.236 A (277 VAC)
12 V NiCad, 25-50 W units - 0.200 A (120 VAC), 0.094 A
(277 VAC)
12 V NiCad, 75-150 W units - 0.433 A (120 VAC), 0.188 A
(277 VAC)

lamps

- Illumination is accomplished with two MR16 LED, MR16 halogen, or PAR 36 lamp heads mounted on the top or side of the enclosure.
- 75 W units and above can accommodate up to three lamp heads mounted directly to the top, side or bottom of the housing.
- Accommodations for remote lamps are standard.

options

- A - The ammeter option includes an analog meter electrically connected to the charging circuit for visual reference and indication of the current level being delivered to the battery.
- BD - The battery disconnect switch allows for the electrical switching between the battery and the connected load (lamp heads) whether they be directly mounted to the equipment or installed as remote lamp heads. The switch will be located internally to the equipment and is not made accessible other to those who perform maintenance on the equipment.
- DL - Damp location listed products include various levels of corrosion protection on printed circuit board assemblies and other metallic parts. Environmental testing throughout a range of ambient temperature and 88% relative humidity.
- EX - The special input transformer option allows for input voltage and frequencies beyond the standard 120/277 VAC, 60 Hz input.
- F1 - The AC fuse option includes an in-line fuse on the primary winding of the input transformer for additional electronic protection against utility surges or spikes limited to 120 VAC circuits.
- F2 - The AC fuse option includes an in-line fuse on the primary winding of the input transformer for additional electronic protection against utility surges or spikes limited to 277 VAC circuits.
- P1 - The AC power switch option includes a toggle switch electrically connected to the primary of the input transformer limited to 120 VAC circuits. This option allows for opening the utility feed to the equipment for servicing or maintenance.
- P2 - The AC power switch option includes a toggle switch electrically connected to the primary of the input transformer limited to 277 VAC circuits. This option allows for opening the utility feed to the equipment for servicing or maintenance.
- T - The self-testing option enables a periodic self-test of the equipment where a test routine is established to perform a one-minute test every thirty days with a 30-minute test performed on the sixth and twelfth month in accordance with NFPA 101. Equipment readiness faults are indicated with a visual LED display.
- TA - The audible self-testing option enables a periodic self-test of the equipment where a test routine is established to perform a one-minute test every thirty days with a 30-minute test performed on the sixth and twelfth month in accordance with NFPA 101. Equipment readiness faults are indicated with a visual LED display and an audible alarm.
- TD - The time delay circuit causes the emergency lighting equipment to remain under battery power for a period of 15 minutes after the utility power has been restored.
- V - The voltmeter option includes an analog meter electrically connected between the battery and lamp load for visual reference and indication of the battery terminal voltage when the equipment is operating in the emergency mode.

battery

- Maintenance free sealed lead calcium battery with 5 year life.
- Maintenance free sealed nickel cadmium battery with 10 year life.
- Provides a minimum of 90 minutes emergency illumination.

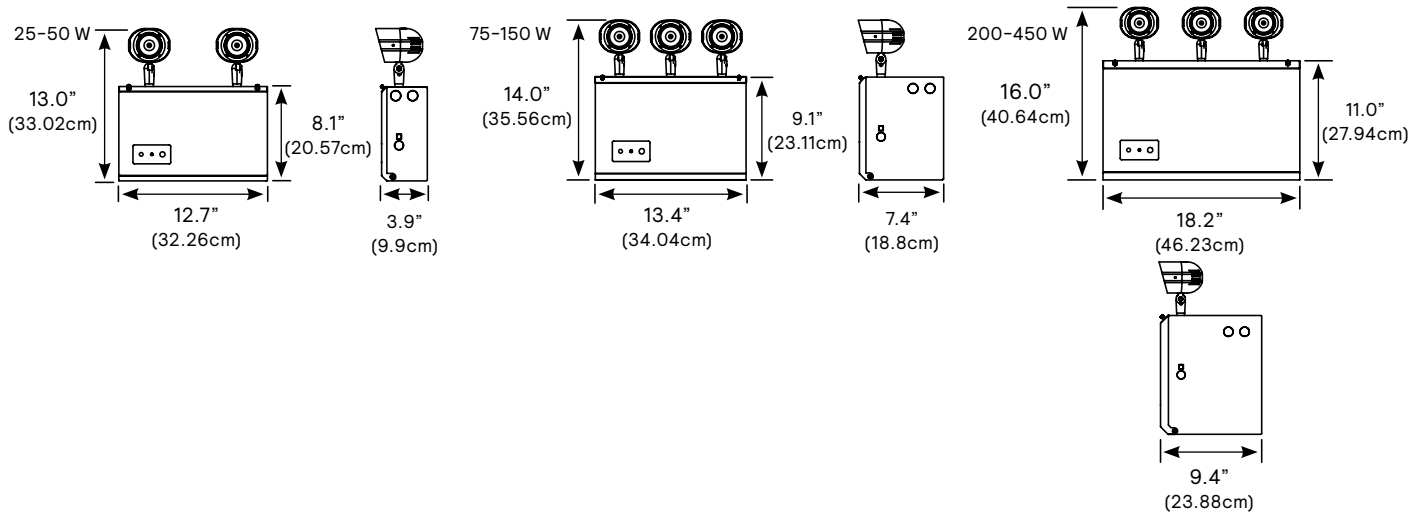
warranty

- Five full year warranty on electronics and unit (excluding lamps).

TMF/TNM Die formed steel unit

12V, 25-450W

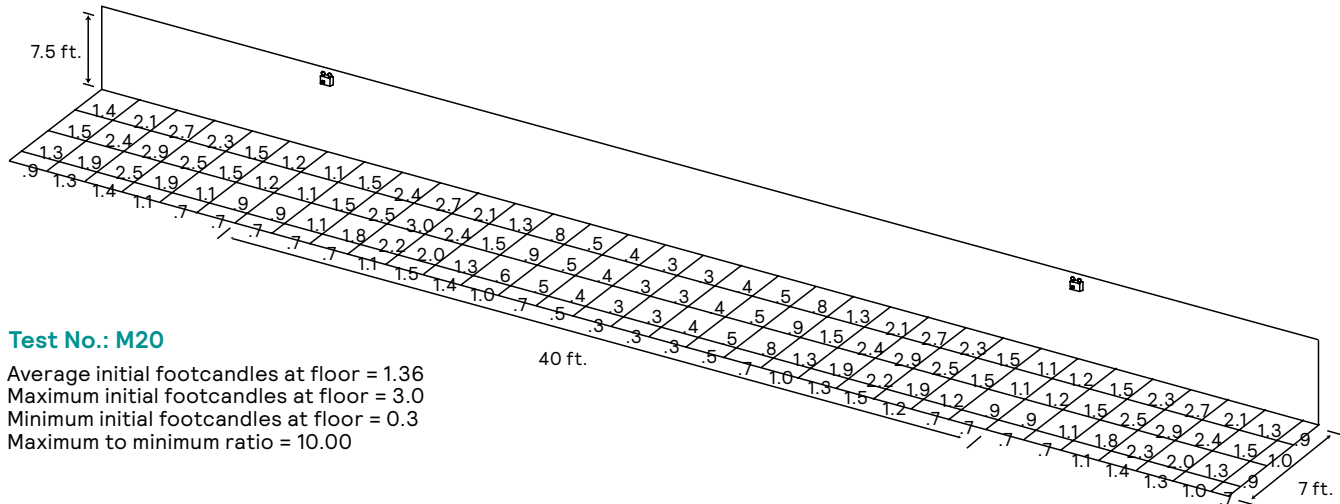
dimensions



performance

Meets Life Safety Code illumination standard; average of 1.0 FC, no point less than 0.1 FC, max to min ratio of 40:1. Assumes open space with no obstructions, mounting height: 7.5' and reflectances: 80/50/20. Analysis based on independently tested photometrics.

Wall mounted 7.5' AFF, 12 V 20 W MR16 Lamps
1 FC Average



Test No.: M20

Average initial footcandles at floor = 1.36
Maximum initial footcandles at floor = 3.0
Minimum initial footcandles at floor = 0.3
Maximum to minimum ratio = 10.00

