

CHLORIDE

by  Signify

Exit/Emergency

HZ series

Class I & II Division 2,
Class III exit/unit combo



Project: _____
Location: _____
Cat.No: _____
Type: _____
Lamps: _____ Qty: _____
Notes: _____

Example: HZ636R2ZBIC

HZ	6					IC	
Series	System Voltage	Battery/Wattage ³	Letter Color	Lamp Head Qty	Lamp Heads	Model Designator ¹	Options ²
HZ – Hazardous Location LED Exit	6 – 6 VDC	Lead Calcium 18 – 18 W 36 – 36 W 72 – 72 W	R – Red LED G – Green LED	Blank – No Lamp Heads 1 – One Lamp Head 2 – Two Lamp Heads	ZA – 8 W Tungsten ZB – 18 W Tungsten ZC – 25 W Tungsten ZY – 6 W Halogen ZI – 8 W Halogen ZJ – 12 W Halogen	IC – Intelli-Charge Diagnostics	BF – Buzzer/Flasher BZ – Buzzer EX – Special Input Transformer ² (specify voltage & frequency) FL – Flasher S – Shatterproof Lamp Head Lens T – Self-Testing Diagnostics (non-audible) TA – Audible Self-Testing Diagnostics TD – Time Delay

Accessories⁴ (Order Separately)

ICIR – Intelli-Charge Infra-Red Remote
WG5 – Wire Guard

Footnotes

- ¹ For self-testing models refer to options.
- ² Some option combinations may impact UL listing. Consult factory for specifics.
- ³ Battery capacity to support local/remote load.
- ⁴ Consult Signify to confirm whether specific accessories are BAA-compliant.



HZ Class I & II, Division 2, Class III exit/unit combo

codes and standards

- UL 924 and 844 listed
- Temperature Rating (T-Rating) 160° (T3C)
- Class I, Zone 2 T-Rating 200° (T3)
- NFPA 101, NEC, IBC, BOCA, and OSHA illumination standard
- The HZ Series is UL listed for Class I, Division 2, Groups A, B, C & D; Class I, Zone 2, Groups IIA, IIB (+ H2) & IIC; and Class II, Division 2, Groups F & G Class III hazardous location areas.

construction

- Constructed of impact resistant, fiberglass reinforced polyester gray housing and includes stainless steel hardware and clear polycarbonate cover.
- The housing includes a one piece formed gasket and corrosion resistant hardware.

installation

- Wall mount unit.
- Standard internal or external mounting feet provide installation flexibility.

electronics

- 120/277 VAC dual voltage input with surge protection is standard on all models.
- Self-powered models feature the Intelli-Charge circuit where the charging system is microprocessor driven with software embedded diagnostic routine and temperature compensation.
- Self-powered models include brownout detection, AC lockout, low voltage disconnect, AC power indicator, charge status indicator, audible user-interface controls, visual LED system fault indicator, and tactile push-to-test switch.
- Additional equipment safety features include reverse battery polarity detection and protection, and reverse utility power detection and protection.

- All self powered models include an on-board IR receiver for use with the optional hand-held remote (ICIR).
- (optional self-testing electronics) The diagnostic/charging platform with optional self-testing mode automatically runs a one minute self-test once a month and a 30 minute test on the sixth and twelfth month in accordance with NFPA 101.
- A one minute or 90 minute test may be initiated via the push to test switch on the unit or by activating the appropriate test command on the optional IR test device.
- Power Consumption
6 V 18 W Red or Green: 0.133 A, (120 VAC) PF = 0.80, 0.058 A (277 VAC) PF = 0.80.
6 V 36 W Red or Green: 0.122 A (120 VAC) PF = 0.70, 0.053 A (277 VAC) PF = 0.70.
6 V 72 W Red or Green: 0.129 A (120 VAC) PF = 0.80, 0.056 A (277 VAC) PF = 0.80.
- Operating temperature range 65°F (19°C) to 85°F (30°C).

lamps

- Illumination of the exit stencil face is accomplished with long lasting, high output LEDs, producing an average illumination level in excess of 25 ft (85.7 cd/m²) at the end of the 90 minute emergency run time.
- A variety of optional lamp heads provide design flexibility for egress lighting.

battery

- Maintenance-free sealed lead calcium battery.
- Provides a minimum of 90 minutes of emergency power.

warranty

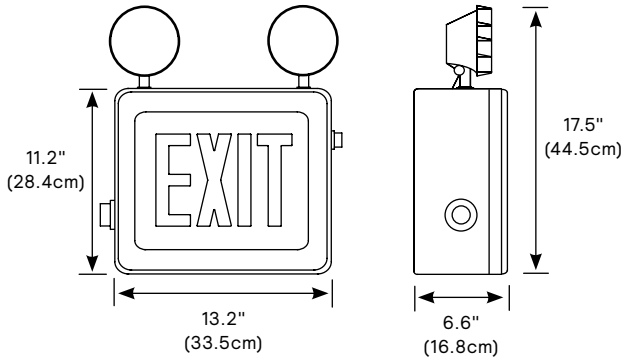
- Five year warranty on unit (lamps not included).

options

- **BF** – This option enables the exit sign to buzz and flash together when the sign is operating under battery power. The buzzer and flashing rate is an approximate 50% duty cycle.
- **BZ** – This option enables the exit sign to buzz when the sign is operating under battery power. The buzzer rate is an approximate 50% duty cycle.
- **EX** – The special input transformer option allows for input voltage and frequencies beyond the standard 120/277 VAC, 60 Hz input.
- **FL** – This option causes the exit sign to flash when the sign is operating under battery power. The flashing rate is approximately a 50% duty cycle.
- **T** – The self-testing option enables a periodic self-test of the equipment where a test routine is established to perform a one minute test once a month with a 30 minute test performed on the sixth and twelfth month in accordance with NFPA 101. Equipment readiness faults are indicated with a visual LED display.
- **TA** – The audible self-testing option enables a periodic self-test of the equipment where a test routine is established to perform a one minute test every thirty days with a 30 minute test performed on the sixth and twelfth month in accordance with NFPA 101. Equipment readiness faults are indicated with a visual LED display and an audible alarm.
- **TD** – The time delay circuit causes the emergency lighting equipment to remain under battery power for a period of 15 minutes after the utility power has been restored.

HZ Class I & II, Division 2 exit/unit combo

dimensions



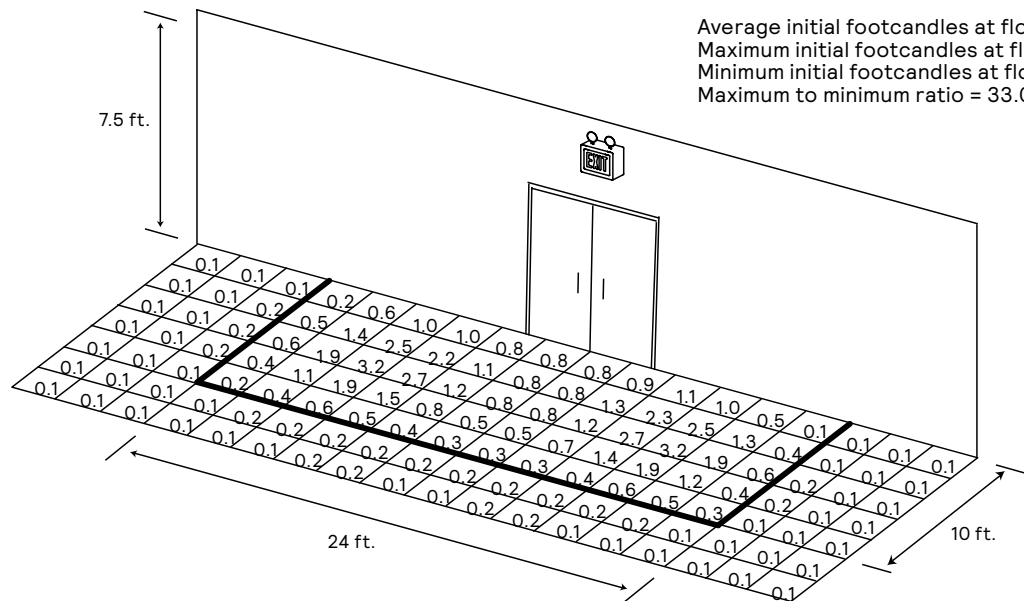
performance

Meets Life Safety Code illumination standard; average of 1.0 FC, no point less than 0.1 FC, max to min ratio of 40:1. Assumes open space with no obstructions, mounting height: 7.5' and reflectances: 80/50/20. Analysis based on independently tested photometrics.

Wall mounted 7.5' AFF, 'IH' 6 V 12 W Halogen Lamps Represented
1 FC Average

Test No.: ZJ

Average initial footcandles at floor = 1.05
Maximum initial footcandles at floor = 3.3
Minimum initial footcandles at floor = 0.1
Maximum to minimum ratio = 33.00



Buy American Act of 1933 (BAA):

This product is manufactured in one of our US factories and, as of the date of this document, this product was considered a commercially available off-the-shelf (COTS) item meeting the requirements of the BAA. This BAA designation hereunder does not address (i) the applicability of, or availability of a waiver under, the Trade Agreements Act, or (ii) the "Buy America" domestic content requirements imposed on states, localities, and other non-federal entities as a condition of receiving funds administered by the Department of Transportation or other federal agencies. Prior to ordering, please visit www.signify.com/baa to view a current list of BAA-compliant products to confirm this product's current compliance.

