

CHLORIDE

by  Signify



Exit/Emergency

Compac

Emergency unit CLU



Project: _____
Location: _____
Cat.No: _____
Type: _____
Lamps: _____ Qty: _____
Notes: _____

Chloride Compac LED emergency unit CLU features a low-profile, contemporary design with aesthetic appeal for many commercial applications. It was designed to be unobtrusive, but also deliver optimum performance in treacherous situations. The two high-output LED lamps are fully adjustable to meet your requirements.

Ordering guide

Example: CLUNW

Series	Battery	Color	Options
<input type="text" value="CLU"/>	<input type="text" value="N"/>		
Compac LED emergency unit	N Nickel Cadmium battery	W White finish B Black finish	No optional features offered, specify the CLU2 for optional features

Accessories (order separately)

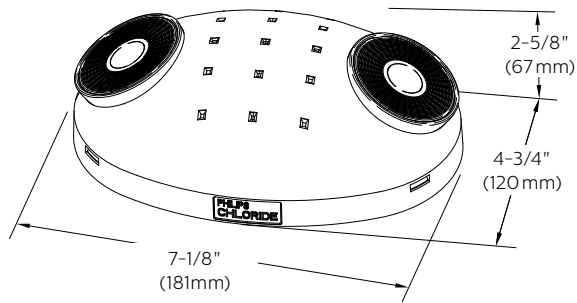
- **WG5** - Wire guard (for **CLU** emergency unit mounted flat against the wall)



CLU Compac emergency unit

Dimensions

CLU



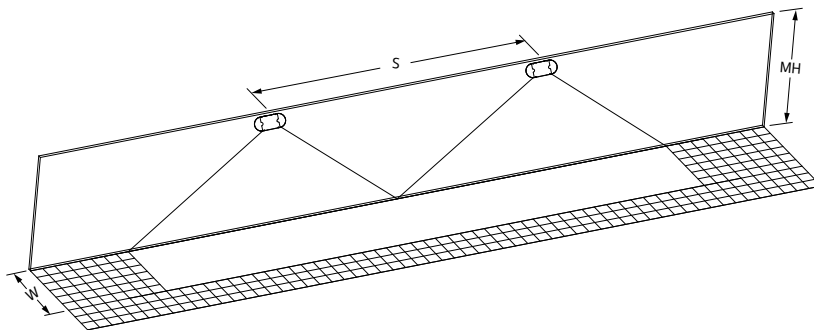
Performance

Meets Life Safety Code illumination standard; average of 1.0 FC, no point less than 0.1 FC, max to min ratio of 40:1. Assumes open space with no obstructions.

Compac CLU emergency unit performance				
80/50/20 Reflectance [†]		10/10/10 Reflectance [‡]		
	3' Path	6' Path	3' Path	6' Path
Center-to-center spacing	40'	35'	-	-
Single Coverage	-	-	36'	28'

[†]Based on 6ft corridor and 9ft ceiling height and a mounting height of 7.5ft.

[‡]Based on 200ft by 200ft open area and 30ft ceiling height.



CLU Compac emergency unit

Codes and standards

- NFPA 70 (National Electric Code)
- NFPA 101 (Life Safety Code)
- ETL listed to Standard 924
- UL Listed for damp locations

Construction

- Wall or ceiling mounted
- UL 94 V-0.5VA Flame rated, UV stable thermoplastic housing
- Provisions for surface mounted conduit to top of wall mounted unit
- Back plate keyhole slots are easily removable knockouts for securing to single gang boxes, 3" J-boxes and 4" J-boxes for easy mounting

Installation

- Designed for wall or ceiling mount with a universal J-box pattern on back plate
- Surface conduit entry on top of housing in center of backplate
- CLU unit mounts to a standard single gang boxes, 3" J-boxes and 4" J-boxes for easy mounting

Electronics

- 120/277VAC, 50-60Hz dual voltage selectable input
- Surge protected, solid state circuitry
- Charging systems are complete with low voltage disconnect (prevents deep discharge of battery), battery lockout (prevents discharge of battery during installation), and brownout protection

Power consumption

CLU 120V = 0.027
CLU 277V = 0.026

Lamps

- CLU unit contains 2 - 1W adjustable LED lamp heads (5000k)

Battery

- Maintenance-free sealed 3.6V Nickel Cadmium battery
- Manual test switch and LED light indicator
- Supplies emergency illumination for a minimum of 90 minutes
- Operating temperature range: Batteries have an approximated service life of 6 to 8 years at a operating temperature range of 10°C to 40°C (50°F to 104°F)

Remote capability

The CLU Series units do not have the capacity for remote capability.

Listings

- California Energy Commission, Title 20 compliant (Battery Charger)

Warranty

- Five year full warranty on unit.

Self-diagnostics/Self-test

The CLU units contain self-diagnostic/self-test electronics as a standard feature. An automatic self-test is performed every month for 3 minutes, and a 30 minute self-test every six months. A manual test may also be performed at anytime by pressing the manual test button.

Manual testing:

Test button	Length of test
1 press	30 seconds
2 presses	3 minutes
3 presses	30 minutes
4 presses	90 minutes

Self-Diagnostic Red status indicator:

Indicator	Status
One blink	Battery is not connected
Two blinks	Battery voltage has dropped below acceptable value
Three blinks	Charger board cir fault
Four blinks	Transfer fault
Five blinks	Lamp fault
Six blinks	Remote lamp head fault
Seven blinks	EXIT Led strip fault

The Self-diagnostic/self-test electronics meets the requirements of the National Electric Code and/or the National Fire Protection Association.

The information presented in this document is not intended as any commercial offer and does not form part of any quotation or contract.

