

Crystal Series

Chicago Approved Edgelit Series CLX

REV #: 08.21.01

ILLUMINATION

- Ultra-bright, energy efficient, long-lasting white LEDs provide uniform illumination.
- UV stabilized, silk screened acrylic panels provide consistent, uniform illumination.

ELECTRICAL

AC Operation

- Universal Input 120/277VAC
- Charge rate/power "ON" LED indicator light and push-to-test switch for mandated code compliance testing.
- 4.8V long life, maintenance-free, rechargeable NiCd battery (EM models only).
- Internal solid-state transfer switch automatically connects the internal battery to LED board for minimum 90-minute emergency illumination.
- Fully automatic solid-state, two rate charger initiates battery charging to recharge a discharged battery in 24 hours.

DC Operation

- 24VDC for Central Storage Battery systems.
- 60VDC for POE or DC power distribution systems.

MOUNTING

- Die-cast aluminum mounting canopy provided for universal top, end or back mount

HOUSING

- Premium-grade, die-cast aluminum housing (also available in optional white powder-coated finishes).
- Single or double face configurations.

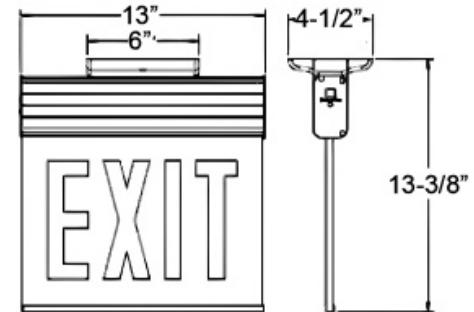
WARRANTY/LISTING

- Meets UL924, NFPA 101 Life Safety Code, NEC, OSHA, Local and State Codes.
- UL Listed for damp locations (0°C – 50°C).
- Certified to CEC under Title 20 Regulations.
- Meets City of Chicago Requirements.

PROJECT:

TYPE:

CATALOG #:



STANDARD:



FIXTURE ORDERING INFORMATION EXAMPLE: CLX-2-BB-R-W-DG-NA

CLX

SERIES	OPERATION	# OF FACES	LETTER COLOR	HOUSING COLOR	OPTIONS
CLX	BB 120/277VAC with Battery	1 Single Face	R Red	W White	DG Self-Test Diagnostics ¹
	NB AC only	2 Double Face	on white	A Aluminum	48 48VDC input ²
	REC Central Battery				60 60VDC input ²

¹BB models

²REC models

³Available in single face configuration only

⁴Available in double face configuration only

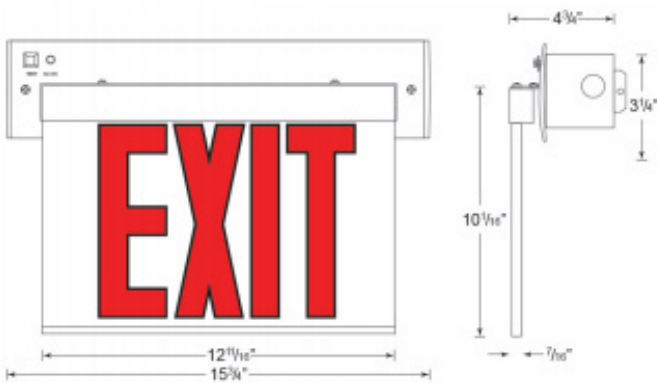
SIGNAGE/DIRECTIONAL ARROWS

-NA	Exit No Arrow
-S-NA	Stair No Arrow
-DA	Exit Double Arrow
-S-DA	Stair Double Arrow
-RA ³	Exit Right Arrow
-S-RA ³	Stair Right Arrow
-LA ³	Exit Left Arrow
-S-LA ³	Stair Left Arrow
-LARA ⁴	Exit Left/Right Arrow
-S-LARA ⁴	Stair Left/Right Arrow

ELECTRICAL INFORMATION

	Input Watts (W)		Input Amps (A)	
	120V	277V	120V	277V
AC MODEL	4.3	4.7	0.040A	0.02A
EM MODEL	4.5	4.9	0.042A	0.02A

WALL MOUNT DIMENSIONS



ARROW CONFIGURATION

