

# CHLORIDE

by  Signify



## Exit/Emergency

Compac

Exit sign CLX



Project: \_\_\_\_\_  
Location: \_\_\_\_\_  
Cat.No: \_\_\_\_\_  
Type: \_\_\_\_\_  
Lamps: \_\_\_\_\_ Qty: \_\_\_\_\_  
Notes: \_\_\_\_\_

Chloride Compac exit CLX is designed to complement the Compac exit/emergency family in looks and reliability. Its sleek unobtrusive design provides general wayfinding through a building in addition to times of immediate egress in an emergency. This unit comes standard with self-diagnostic/self-test features to assure that they are ready at any time.

## Ordering guide

Example: CLXNRW

Series	Battery	Color	Options <sup>1</sup>
<b>CLX</b>			
Compac LED multi-purpose exit sign	<b>A</b> AC only <b>N</b> Nickel Metal Hydride battery	<b>RW</b> Red letters on white housing <b>GW</b> Green letters on white housing <b>RB</b> Red letters on black housing <b>GB</b> Green letters on black housing	<b>FA</b> <sup>2</sup> Fire Alarm Interface <b>2C</b> <sup>3</sup> 2 Circuit Input <b>4R</b> <sup>4</sup> Remote capability <b>SW</b> <sup>5</sup> Special Wording (CLXA only)

1. Optional features cannot be combined with other optional features
2. Specify **CLXN** exits for **FA** option
3. Specify **CLXA** exits for **2C** option

4. **CLX** feeds 4 **CLR** single or two **CLR** dual LED remote lamp heads
5. Refer to table below regarding available special wording signage

## Accessories (order separately)

- **WG5** - Wire guard (for **CLX** exit signs mounted flat against the wall)
- **VEPMC** - Pendant mount canopy, white
- **CXPA12W** - Pendant Assembly, rigid canopy, 12" white stem (requires **VEPMC**)
- **CXPAS12W** - Pendant Assembly, swivel canopy, 12" white stem (requires **VEPMC**)



# CLX Compac exit sign

Custom wording available for **CLXA** (AC only)



**CLXAGWSW1**  
SALIDA  
(green letters only)



**CLXARWSW2**  
X-RAY IN USE  
(red letters only)



**CLXARWSW3**  
ROOM IN USE  
(red letters only)



**CLXARWSW4**  
IN USE  
(red letters only)



**CLXARWSW5**  
LASER IN USE  
(red letters only)



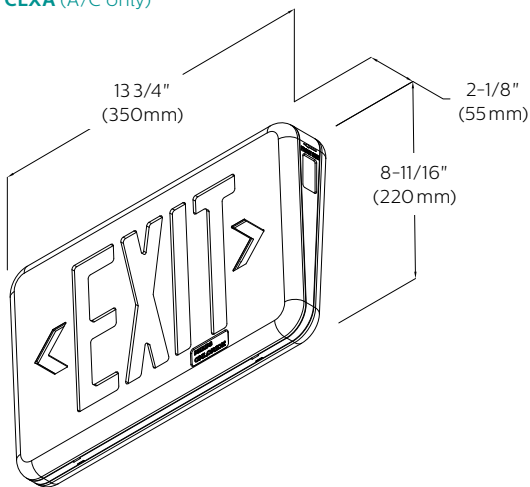
**CLXARWSW6**  
AREA OF REFUGE  
(blue wheel chair symbol, red letters only)



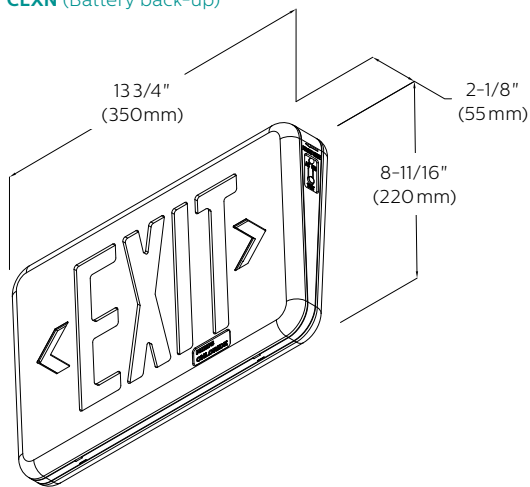
**CLXARWSW7**  
AREA OF RESCUE ASSISTANCE  
(blue wheel chair symbol, red letters only)

## Dimensions

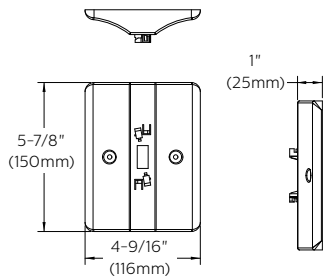
**CLXA** (A/C only)



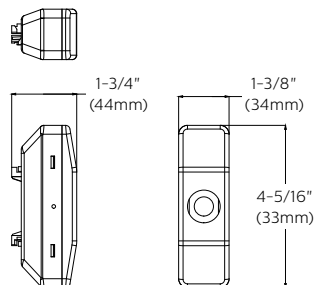
**CLXN** (Battery back-up)



### Canopy mount



### Pendant Mount Canopy



# CLX Compac exit sign

## Codes and standards

- ETL listed to Standard 924
- NFPA 70 (National Electric Code)
- NFPA 101 (Life Safety Code)
- DOE compliant
- ETL listed for damp location

## Construction

- White and black housing only.
- Low profile, snap-together quick mount design.
- UL 94 V-0.5VA Flame rated, UV stable thermoplastic housing

## Installation

- Universal wall/ceiling/end mounting.
- Canopy not required for flat wall mount (electronics contained inside housing).
- Pop-out chevron directional indicators are easily removed when required
- Exit sign mounts to a standard single gang boxes, 3" j-boxes and 4" j-boxes (canopy provided)
- All exits signs are provided with an extra stencil face plate for double face sign applications

## Electronics

- 120/277 VAC selectable input.
- **CLXA** Exits (AC only)  
Green: 120V=.016A / 277V=.013A  
Red: 120V=.012A / 277V=.011A
- **CLXN** (Emergency)  
Green: 120V=.032A / 277V=.028A  
Red: 120V=.032A / 277V=.028A
- **CLXA** (2 Circuit)  
Green: 120V=.015A / 277V=.013A  
Red: 120V=.012A / 277V=.011A
- **CLXN-4R** (Remote)  
Green: 120V=.074A / 277V=.049A  
Red: 120V=.075A / 277V=.049A
- Surge protection, low voltage disconnect, AC lockout installation, brown out protection, and trickle charger.

## Lamps

- Bright red or green energy efficient LED lamps. Uniform 6" letter illumination (3/4" stroke)

## Battery

- **CLXN** Exits contain a 3.6V maintenance free Nickel Metal Hydride battery and the **4R** Remote contains two 7.2V batteries. Batteries have an approximated service life of 6 to 8 years at a operating temperature range of 10°C to 40°C (50°F to 104°F).
- Provides 90 minutes of emergency illumination

## Remote capability

**CLXN** exit signs with a 4R suffix are remote capable. These signs can feed four **CLR** single remote LED lamp heads or two **CLR** dual remote LED lamp heads. The **CLR** remote LED lamp heads are compatible with Compac LED products with remote capability.

## Special Wording

**CLXA** special wording signs are available in a white housing only

## Warranty

- Five year full warranty on unit.

## Self-diagnostics/Self-test

The **CLX** exit signs contain self-diagnostic/self-test electronics as a standard feature. An automatic self-test is performed every month for 3 minutes, and a 30 minute self-test every six months. A manual test may also be performed at anytime by pressing the manual test button.

### Manual testing:

Test button	Length of test
1 press	30 seconds
2 presses	3 minutes
3 presses	30 minutes
4 presses	90 minutes

### Self-Diagnostic Red status indicator:

Indicator	Status
One blink	Battery is not connected
Two blinks	Battery voltage has dropped below acceptable value
Three blinks	Charger board circuit fault
Four blinks	Transfer fault
Five blinks	Lamp fault
Six blinks	Remote lamp head fault
Seven blinks	EXIT Led strip fault

### Operation

Press the test button and the EXIT legend will remain lit and the LED indicator will turn off. Release the test button and the LED indicator will turn on and the EXIT legend will remain lit.

The Self-diagnostic/self-test electronics meets the requirements of the National Electric Code and/or the National Fire Protection Association.

The information presented in this document is not intended as any commercial offer and does not form part of any quotation or contract.

