



CRU Series

Chicago Steel Recessed Unit

Catalog Number	
Comments	Type

FEATURES

Application

The CRU Series offers emergency lighting for commercial applications. Designed for use with T-grid ceilings. The housing is made of durable 20-gauge steel providing strength and durability. AC power on LED indicator with push-to-test switch. Meets City of Chicago code requirements.

Construction

The housing is made of heavy-duty 20 gauge steel in white finish. Knockouts are located on the back for wall mounting. Side and top knockouts for conduit feed applications. 12W Lamp heads in white finish are adjustable.

Installation

The CRU Series is designed for recessed mounting in suspended grid ceilings. The trim plate dimensions allow placement of the unit between the suspended ceiling's grid support structure. The unit must be fastened to the building's structure in accordance with local codes; holes in the unit's mounting ears facilitate this requirement. Ceiling tile may require trimming for finished installation. AC, DC-battery and remote fixture connections are made inside the unit housing. Lampheads attach directly to unit trim plate. AC input leads are provided for wiring. All AC connections made inside unit housing.

Illumination

Lamp housings are fully adjustable. Lighting is provided by 2, 6 volt, 12 watt halogen lamps. Lamps have a rated life of 100 hours.



Compliances

- Listed to UL924 Standard
- City of Chicago Fire Code Approved
- Damp Location Listed (20°C to 50°C)
- NFPA 101
- NEC
- OSHA

Warranty

Full 5 year warranty

ORDERING GUIDE

CRU



- Blank** - 27 Watts
- RC** - 50 Watts (Remote Capacity)

ACCESSORIES

- CRHO** - Outdoor Remote for Chicago
- CRHI** - Indoor Remote for Chicago



Outdoor Remote Head

Indoor Remote Head





CRU Series

Chicago Steel Recessed Unit

SPECIFICATIONS

Electronics

100% solid state switching includes low voltage disconnect to prevent full battery dis-charge and AC lock-out feature. Unit includes maintenance-free sealed lead acid battery with capacity to run the integral lamps for 120 minutes. 24 hour battery re-charge. All models supplied with a dual voltage input which accepts 120 or 277VAC. Includes pre-stripped AC pigtail leads. Includes test switch and AC-on indicator.

Battery Type: 6V Sealed Lead Acid, Maintenance-free, Rechargeable Battery

Input: Dual 120/277 voltage

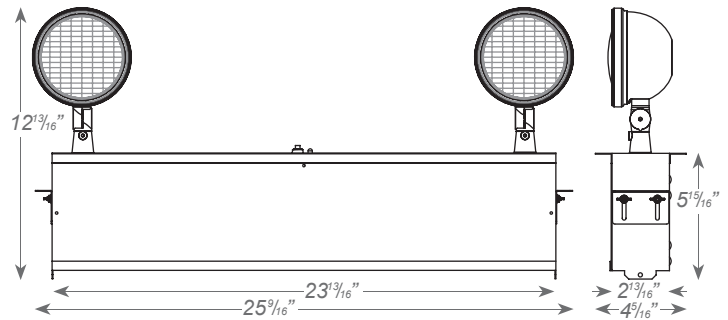
Operating Temperature Range : 20°C to 50°C

Weight: 14.36

MAXIMUM POWER CONSUMPTION

CATALOG NUMBER	INPUT WATTS (W)		INPUT AMPS (A)	
	120V	277V	120V	277V
CRU	11	11	0.11	0.04A
CRURC	18	18	0.17	0.07A

DIMENSIONS



CRU RUNTIME CHART

CATALOG NUMBER	DC VOLTS	STANDARD LAMP	REMOTE CAPACITY	REMOTE WATTS	TOTAL WATTS FOR:			
					1 1/2 HOURS	2 HOURS	120V	277V
CRU	6	12W	No	0	27	-	-	-
CRURC	6	12W	Yes	26	50	37	24	11