

PROJECT NAME:	APPROVED BY:
CATALOG NO:	TYPE NO:

## DECOR DESIGNER – T Bar Recessed Emergency Light

The Decor DS series provides a self-contained emergency lighting fixture for recessing into suspended grid or lay-in ceiling systems. By recessing into the ceiling the DS series provides a clean and unobtrusive emergency light to blend with your chosen Decor.

### Construction

- One piece, steel housing drops into ceiling T-bar grid and provides cut ceiling tile support. T-bar retaining brackets are included together with provision for chain or cable suspension
- Sturdy 20 gauge steel cabinet with multiple knock-out entries, finished in a durable white powder coat finish (other colors available to order)
- Removable side access panel for ease of service and installation

### Electrical

- Choice of maintenance free sealed Lead Calcium or Nickel Cadmium batteries
- Brownout sensing assures emergency operation during periods of low line voltage
- Premium, fully automatic current limited "Pulse Switching" charger provides ideal charge conditions for optimum battery performance and life
- Short Circuit battery protection
- Field selectable 120 or 277 VAC input
- Momentary test switch and dual diagnostic LED indicator displays AC presence and Hi-Charge status
- Line-latch prevents unnecessary discharge of battery during installation, loads will not illuminate until after application of utility power
- Low voltage cut-off prevents battery damage and ensures positive charge acceptance following an extended discharge
- Self-Test / Self-Diagnostic monitoring available

### Illumination

- Available with two fully adjustable Par36 or the smaller Par18 lamp heads with a variety of lamp types and wattage's
- Standard lamp is 9 watt
- High capacity units provide for additional remote lighting

### Certification

- Listed to UL 924, meets NFPA 101 Life Safety Code, NFPA 70-NEC and OSHA requirements



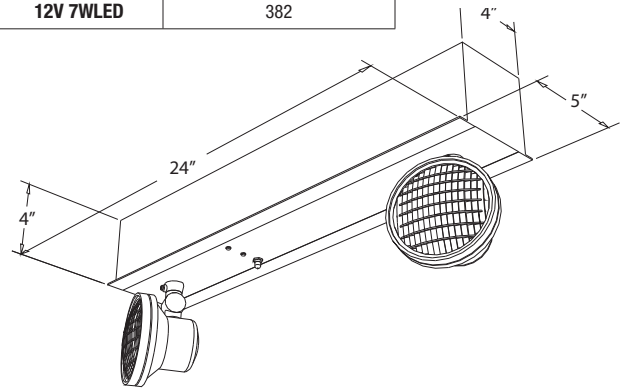
### Warranty

- 3 year limited warranty



Shown with optional LED lampheads

Optional MR16 Heads Available Lamps	
Voltage/Wattage	Lumens
12V 10W	160
12V 20W	342
12V 50W	900
6V 5WLED	300
12V 5WLED	300
12V 7WLED	382



Standard PAR 36 Lighting Head

### ORDERING GUIDE – DS Series

Example: DS2E27-2-LED5-SD

Model	Model	No. of Lightheads	Lighting Heads	Options
<b>Lead Calcium Battery</b> <b>90 Minute Capacity</b> DS2E27 6 Volt – 27 Watts DS2E36 6 Volt – 36 Watts DS2E60 6 Volt – 60 Watts DS2E72 6 Volt – 72 Watts  DS4E36 12 Volt – 36 Watts DS4E60 12 Volt – 60 Watts DS4E140 12 Volt – 140 Watts	<b>Nickel Cadmium Battery</b> <b>90 Minute Capacity</b> DS2N42 6 Volt – 42 Watts DS2N54 6 Volt – 54 Watts DS2N90 6 Volt – 90 Watts  DS4N42 12 Volt – 42 Watts DS4N90 12 Volt – 90 Watts DS4N130 12 Volt – 130 Watts	2 Double Lighting Heads 1 Single Lighting Head 0 No Lighting Heads	<b>Unless specified Standard Lamp Head will be provided with a 9 watt lamp</b> <b>L</b> Standard PAR 36 Style Select type W, C, S or H Lamps up to 12 watts (i.e. LC12, 12 watt Capsule Halogen) <b>M</b> Small PAR 18 Style Select Type W or C Lamps up to 12 watts (i.e. MW9 9 watt Tungsten)	<b>SD</b> Self-Test/Self-Diagnostic <b>TD</b> 15 Minute Time Delay (Specify AC Voltage) <b>VM</b> Volt Meter <b>MR16</b> MR16 Lampheads (6 or 12 Volt see lamp selection guide) <b>LED</b> 5W 6 OR 12V, 7W 12V only <b>B</b> Black Housing and Heads
DS				

Fill in fields from categories above and complete type and part number.

Type Number:

Full Part Number: