



# CCU2 Series

CHICAGO LED STEEL EMERGENCY UNIT

DATE: \_\_\_\_\_ LOCATION: \_\_\_\_\_

TYPE: \_\_\_\_\_ PROJECT: \_\_\_\_\_

CATALOG #: \_\_\_\_\_

## FEATURES

- Housing is made of durable 20-gauge steel providing strength and durability.
- Remote capacity / extended runtime standard
- AC power on LED indicator with push-to-test switch.
- Knockouts for wall mounting
- Knockouts for top and side mounting lamp heads
- AC-on and test switch



## SPECIFICATIONS

### APPLICATION

- The CCU2 Series offers emergency lighting for commercial applications
- Meets City of Chicago code requirements

### CONSTRUCTION

- The housing is made of heavy-duty 20 gauge steel in white finish
- The two 3.3W Lamp heads in white finish are adjustable

### INSTALLATION

- Knockouts are located on the back for wall mounting
- Side and top knockouts for conduit feed applications

### ILLUMINATION

- Two 6V, 3.3W Lamp provide over 670 lumens
- 2-hour runtime or remote capacity standard
- Unit supports one CRHI single remote lamphead or five CRHO remote lampheads (ordered separately)
- Remote capacity option for 20W models
- Will run two LED CRH heads ordered separately
- Photometrics available for download on Dual-Lite website

### COMPLIANCES

- Listed to UL924 Standard
- City of Chicago Fire Code Approved
- Damp Location Listed (20°C to 50°C)
- NFPA 101
- NEC
- OSHA

### WARRANTY

- Full 5 year warranty

## ORDERING GUIDE

CATALOG # \_\_\_\_\_

<b>CCU2RC2</b>					
<b>Model</b>		<b>Remote Capacity</b>		<b>Accessories (Order Separately)</b>	
<b>CCU2RC2</b>	Chicago LED Steel Emergency Unit	<b>Blank</b>	5.4 Watts	<b>CRHO</b>	Outdoor Remote for Chicago
				<b>CRHI</b>	Indoor Remote for Chicago



# CCU2 Series

CHICAGO LED STEEL EMERGENCY UNIT

DATE: \_\_\_\_\_ LOCATION: \_\_\_\_\_

TYPE: \_\_\_\_\_ PROJECT: \_\_\_\_\_

CATALOG #: \_\_\_\_\_

## ELECTRONICS

100% solid state switching includes low voltage disconnect to prevent full battery dis-charge and AC lock-out feature. Emergency model includes maintenance-free sealed lead acid battery with capacity to run the LED's for 90 minutes. 24 hour battery re-charge. All models supplied with a dual voltage input which accepts 120 or 277VAC. Includes pre-stripped AC pigtail leads. Includes test switch and AC-on indicator.

**Battery Type:** Sealed Lead Acid

**Input:** Dual 120/277 voltage

**Operating Temperature Range :** 20°C to 50°C

## WEIGHT:

**CCU2RC2:** 8.2



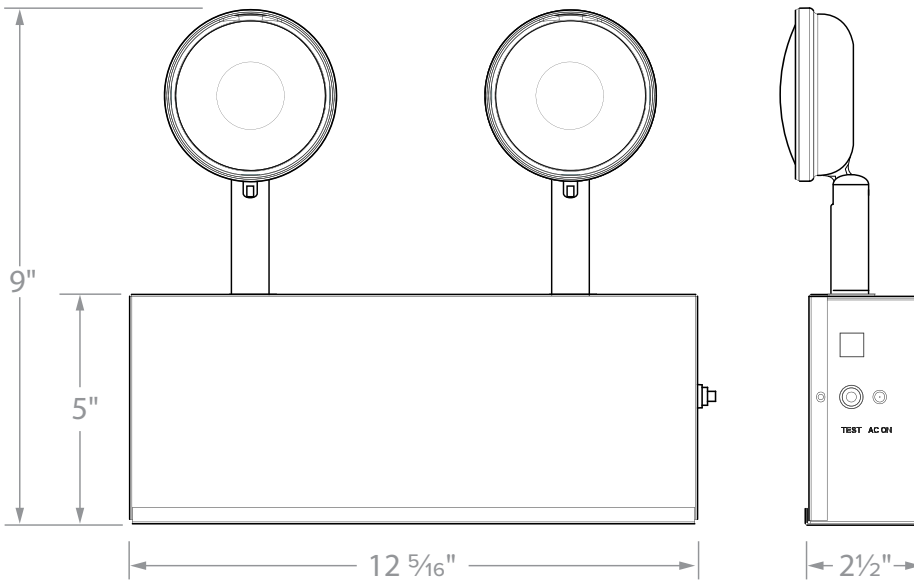
Outdoor Remote Head

Indoor Remote Head

## MAXIMUM POWER CONSUMPTION

Catalog Number	INPUT WATTS(W)		INPUT AMPS (A)	
	120V	277V	120V	277V
CCU2RC	8.4	9.4	0.08A	0.04A

## DIMENSIONS



## UNIT SPACING

Mounting Height (H)	Illumination Level	Single Unit	Multiple Unit
		6' Path (PW)	
7.5'	1fc Avg	56'	66'
10'		52'	61'

