

Remote Head & Unit Head DR Series

Decorative metal MR16 lamp head



Description

- Indoor use
- Powder-coated die cast aluminum construction

Finish

Mist-white or black

Lamp type

Choice of MR16 LED lamp voltages and wattages

Mounting

- Surface mount
- Universal J-Box mounting

Warranty (subject to proper installation and maintenance)

Unit: three-year full warranty

Detailed warranty terms located on page 197 or online at: www.lightalarms.com



Accessories (Order as a separate item)

Description	Product code
Wire Guard for DR1130, DR2130	WG8-L
Wire Guard for DR3130	WG2-L

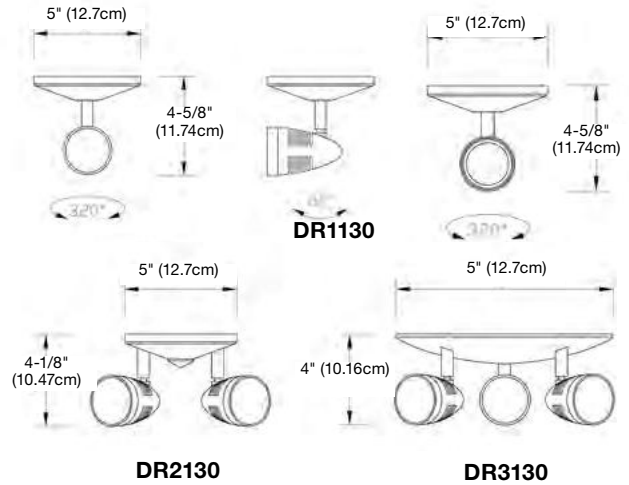
Ordering format

Series	Lamp suffix	Color
DR1130= Single head	/_____ ¹	-WH= White
DR2130= Double head		-BK= Black
DR3130= Triple head		

Example: DR1130/LD12-WH6

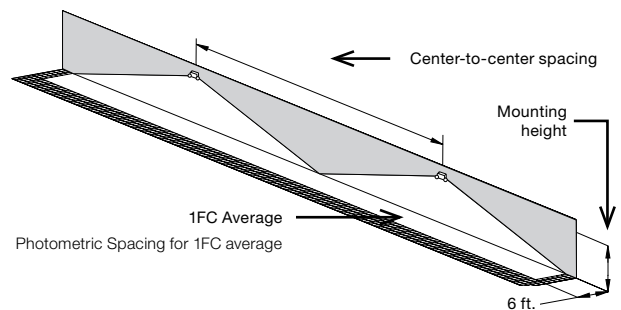
¹Choose from lamp selection chart

Dimensions (Dimensions are approximate and subject to change)



Photometric performance

Lamp	Spacing center-to-center (feet)	
	7 feet mounting height	15 feet mounting height
LD1	43'	36'
LD2	81'	64'
LD7	55'	43'
LD9	71'	56'
LD10	100'	85'
LD13	56'	44'
LD14	100'	85'
LD25	43'	39'



Lamp selection chart – MR16 LED lamps

Lamp suffix	Voltage	Wattage	Lumens	Replacement #
LD1	6	4	130	580.0097-L
LD2	6	5	415	580.0122-L
LD7	12	4	170	580.0093-L
LD9	12	5	340	580.0104-L
LD10	12	6	540	580.0106-L
LD13	24	4	200	580.0098-L
LD14	24	4	590	580.0100-L
LD25	120	6	200	580.0010-L