

Surface Mounted EF10 & EF10D Series

Thermoplastic MR16 lamp head



Description

- Indoor use
- Available as a single, double or triple head
- Thermoplastic construction
- Snap-out lens for easy lamp replacement

Finish

- Off-white or black

Lamp type

- Choice of MR16 LED lamp wattages

Mounting

- Surface mount
- Universal J-box mounting

Approval

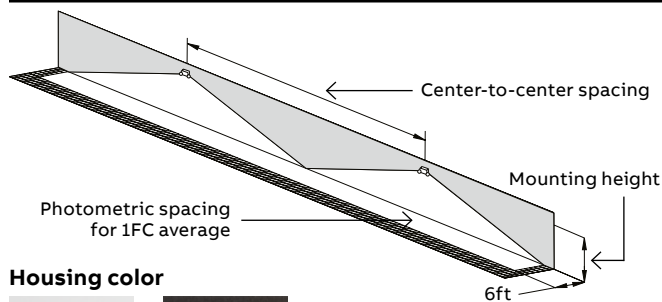
- UL 924 listed

Warranty

- Unit has a three-year limited warranty
Detailed warranty terms located on page 202 or online at:
www.emergi-lite.com/usa/files/EL_Warranty.pdf

Photometric performance

Lamp	Spacing center-to-center (feet)	
	7' mounting height	15' mounting height
LA	43'	36'
LB	81'	64'
LG	55'	43'
LI	71'	56'
LJ	100'	85'
LL	56'	44'

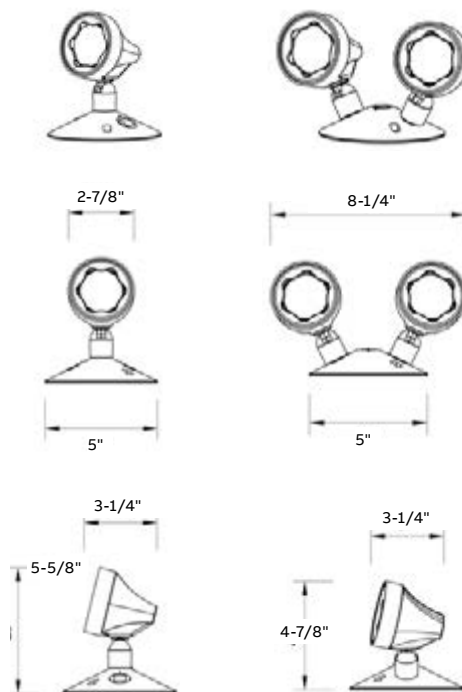


Housing color



Dimensions

Dimensions are approximate and subject to change.



How to order

Series	# of heads	Lamp type/ wattage	Color
EF10= remote head	Blank= Single head	(LA)= 6V-4W, MR16 LED (LB)= 6V-5W, MR16 LED	Blank= Off-white
	D= Double head	(LG)= 12V-4W, MR16 LED	BK= Black
	T= Triple head	(LI)= 12V-5W, MR16 LED (LJ)= 12V-6W, MR16 LED	
		(LL)= 24V-4W, MR16 LED	

Example: EF150D-B(MK)