



ELS

27-140 Watt Emergency Light

DATE:

COMMENTS:

PROJECT



FEATURES

- High capacity models support total loads up to 360 watts or provide for extended discharge periods.
- 24 volt units provide for reduced voltage drops over longer cable runs.
- Two fully adjustable, top mounted Par 36 style lighting heads in high impact thermoplastic are supplied as standard. Additional lamp types and wattages available for lighting heads.
- Capable of powering multiple remote heads.
- Unique locking twist-collar securely holds the lens for quick and easy re-lamping.
- Low voltage cut-off prevents battery damage and ensures positive charge acceptance following an extended discharge.
- Self-Test/Self-Diagnostic monitoring is available.
- Uses maintenance free sealed lead calcium or nickel cadmium battery for 90 minute emergency run time.
- Short circuit battery protection is standard in all units.
- Brownout detection ensures emergency operation during periods of low line voltage
- Line-latch prevents unnecessary discharge of battery during installation. Loads will not illuminate until after application of utility power.
- Key hole mounting slots and conduit knockouts are provided for additional mounting options.
- 120/277 VAC with field selectable inputs except for infrared testing (SR1 and SR2) and time delay options (T1 and T2).



ORDERING INFORMATION *N ELS-LC-6V27W-WH-MB-2-XRH-ME-L125*

1. SERIES	2. BATTERY TYPE	3. OPERATION	4. FRAME COLOR	5. MOUNTING
ELS	-	-	-	MB
	LC Lead Calcium Battery Backup	6V27W 6 Volts, 27 Watts 6V36W 6 Volts, 36 Watts 6V60W 6 Volts, 60 Watts 6V72W 6 Volts, 72 Watts 6V100W 6 Volts, 100 Watts 6V120W 6 Volts, 120 Watts	12V36W 12 Volts, 36 Watts 12V60W 12 Volts, 60 Watts 12V72W 12 Volts, 72 Watts 12V120W 12 Volts, 120 Watts 12V140W 12 Volts, 140 Watts	WH White BK Black
	NC Ni-Cad Battery Backup	6V42W 6 Volts, 42 Watts 6V54W 6 Volts, 54 Watts 6V90W 6 Volts, 90 Watts 12V42W 12 Volts, 42 Watts	12V90W 12 Volt, 90 Watt 12V130W 12 Volts, 130 Watts 24V100W 24 Volts, 100 Watts	
6. HEAD COUNT	7. HEAD STYLE	8. HEAD LOCATION	9. LAMPS ²	10. OPTIONS
0 No Heads 1 One Head 2 Two Heads	HNS HNS Lamp Heads ¹ XRH XRH Lamp Heads	ME End Mount / Side Mount MF Front Mount MT Top Mount	L65 LED 6V 5W L67 LED 6V 7W L122 LED 12V 2W L125 LED 12V 5W L127 LED 12V 7W L245 LED 24V 5W L247 LED 24V 7W	BLANK = NO OPTION SD Self-Diagnostics SR1 Self-Diagnostics + IR Remote Testing Receiver (120 VAC) SR2 Self-Diagnostics + IR Remote Testing Receiver (277 VAC) AA Audible Alarm (Buzzer) CS Cord Set FA Fire Alarm Interface T1 Time Delay - 120 VAC T2 Time Delay - 277 VAC TP Tamperproof Screws

ORDERING NOTES

- When Selecting the HNS heads, skip the lamp selection field
- Additional lamp options may be available, please contact Quotes@isolite.com if non-LED lamps are required.

ACCESSORIES; ORDER SEPARATELY

- TLRT-IND** = Infrared Remote Control for Industrial Products
- WG-20.0LX19.0WX9.0D** = Wireguard, Length: 20", Width: 19", Depth: 9"
- WG-26.0LX19.0WX9.0D** = Wireguard, Length: 26", Width: 19", Depth: 9"

SPECIFICATIONS
CONSTRUCTION

- gauge steel cabinet
- Durable, white powder coat finish

TEMPERATURE RATING

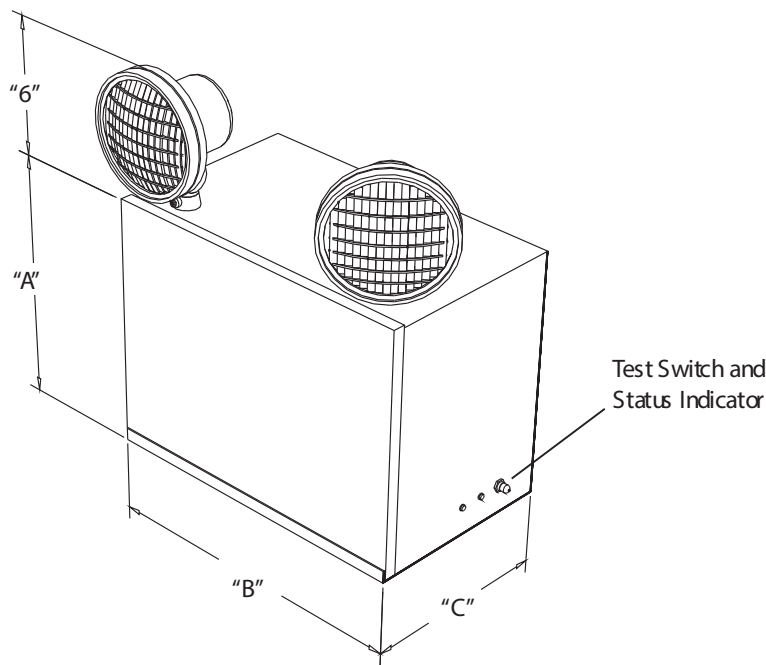
- From 50°F to 113°F

APPROVALS

- CSA-US listed
- Meets or exceeds UL 924 standards
- NFPA 101 Life Safety Code
- NFPA 70-NEC
- OSHA
- BAA Compliant

WARRANTY

- Isolite offers a 3-year limited warranty. For further details, refer to General Warranty and Obligations in the Isolite manual or on our website. Lamps not warranted

DIMENSIONS


DIMENSION CHART			
UNIT SIZE	A	B	C
6V 72-90W 12V 90W	9"	10"	3.25"
6V/12V 100-180W 24V 140-180W	9.5"	15"	4.25"
90W-200W	10"	13"	8"
180W-360W	10"	18"	8"

LAMP SPACING

UNIT SPACING - 9 FT MOUNTING HEIGHT	
LAMP WATTAGE	SPACING (MULTIPLE UNITS)
2W	50'
5W	60'
7W	100'
HNS	250'