

ELT

Elite Edge-Lit Exit Sign

DATE:	COMMENTS:
PROJECT:	



FEATURES

- Premium long-life, high-temperature fused nickel cadmium battery with standard UL listed 3-hour run time
- Battery diagnostic system standard – battery status: detects cell failure and issues alert of reduced capacity and the need to replace battery
- Line-latch prevents unnecessary discharge of battery during installation. Loads will not illuminate until after application of utility power
- Special wording and custom graphics available with white LEDs upon request.
- Specialty finish upon request
- Low profile recessed housing is suitable for old or new work installations and is Type IC Rated
- Brownout detection ensures emergency operation during periods of low line voltage
- Sealed external momentary test switch and dual diagnostic LED indicator displays AC presence and Hi-Charge status
- Self-Test / Self-Diagnostic monitoring available
- Zero current low-voltage disconnect
- Slimline, low profile surface mount housing eliminates need for recessed box in wall mount applications
- Unique electronic driver circuit provides current control and protection, ensuring optimum LED efficiency and life
- 120/277 VAC field-selectable inputs (with the exception of the dual-circuit option which requires voltage specification upon ordering)
- Available in Master/Remote combinations (See ELTMR)

ORDERING INFORMATION *ELT-AC-G-1C-AG-BA-MB-AB*

1. SERIES	2. OPERATION	3. LETTER COLOR	4. FACE COUNT	5. FRAME STYLE	6. FRAME COLOR
ELT	-	-	-	-	-
	AC AC Only EM Ni-Cad Battery Backup	G Green G8 Green 8" letter R Red R8 Red 8" letter	1C Single Face, Clear Background 1M Single Face, Mirror Background 1W Single Face, White Background 2M Double Face, Mirror Background 2W Double Face, White Background	AG Angular Trim FT Flat Trim ¹ <i>1. Only available with recessed mount.</i>	BA Brushed Aluminum BK Black CC Custom Color WH White BR Painted Brass
7. MOUNTING			8. CHEVRON		
MRC Recessed Ceiling Mount MT Top Mount MB Back Mount ME End Mount / Side Mount	MMRSTD Mullion Mount Rear (Standard Panel) MMRINV Mullion Mount Rear (Inverted Panel) MRCLB Recessed Ceiling Mount, Preship Backbox MMB Mullion Mount (Bottom) MMT Mullion Mount (Top)	MPA 12" Pendant Mount MPB 24" Pendant Mount MPC 36" Pendant Mount MPD 48" Pendant Mount	AB Double Arrow AL Arrow Left AN No Arrows AR Arrow Right AS Right & Left Arrow (Double Face Only) AU Universal Chevron Kit		

9. OPTIONS

BLANK = NO OPTION

C1 Dual Circuit (120 VAC) (AC Only)

C2 Dual Circuit (277 VAC) (AC Only)

SD Self-Diagnostics (EM Only)

SR Self-Diagnostics + IR Remote Testing Receiver (EM Only)

PE Euro Panel

VF Other Input Voltage (Indicate Volt & Frequency)

FL Flasher

FLA Flasher / Audible Alarm

CW Custom Wording

FA Fire Alarm Interface

FAA FA Option w/Audible Alarm

LD Damp Location

EEW Emergency Electronics Warranty

ORDERING NOTES

1. Flat Trim only compatible with MRC mounting option

2. Must Order ELT-ACCY-RBB with MRCLB option

ACCESSORIES ON BACK

ACCESSORIES; ORDER SEPARATELY

- ELT-ACCY-RBB = Recessed Backbox for ELT
- TLRT = Handheld Remote Control Test Unit, used with SR option
- WG 1 = Wire guard 17.0" X 17.0" X 17.0"
- WG 10 = Wire guard 13.5" X 12.0" X 16.5"

CONSTRUCTION

- "Snap-in Lens" for easy installation.
- Recessed back box can be pre-installed at job site
- Precision die-cast aluminum housing with a flawless, laser-formed acrylic legend
- Hinged springs allow for concealed mounting hardware on recessed models
- Recessed back box meets New York specifications

INPUT POWER

- AC models: Red 1.5W; Green 2.3W
- EM models: Red 2.5W; Green 3.0W

LETTERS

- 6.0" high; 0.75" stroke

ARROWS

- Full Size Chevrons: Either factory installed, or self-adhesive chevron kit and template for on-site installation

WEIGHT

- Surface Wall/Ceiling/End/Mullion Mount: 9 lbs
- Recessed Ceiling: 8 lbs
- Back Box: 4 lbs

APPROVALS

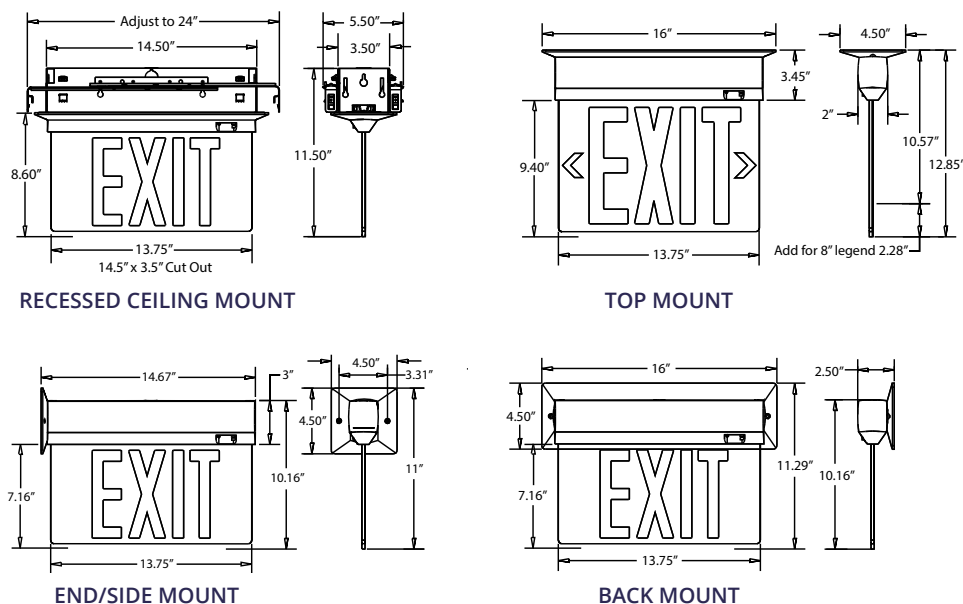
- UL 924
- CEC Title 20 Compliant
- NFPA 101 Life Safety Code
- NFPA 70- NEC
- OSHA
- Recessed backbox is IC rated and meets New York specifications

TEMPERATURE RATING

- From 32°F to 102°F

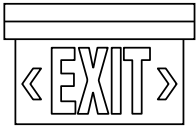
WARRANTY

- Isolite offers a 5-year limited warranty. For further details, refer to General Warranty and Obligations in the Isolite manual or on our website
- The EEW option extends the electronics warranty to 10 years. Batteries are not included in the extended warranty.

DIMENSIONS


CHEVRON DECODER

1) MOUNTING CONFIGURATION



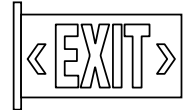
Ceiling Mount
(Recessed or Surface)



Wall Mount
(Surface Only)

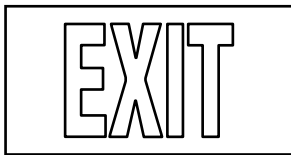


End Mount Right
(Surface Only)

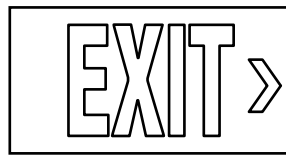


End Mount Left
(Surface Only)

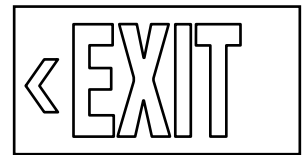
2) CHEVRON DIRECTION



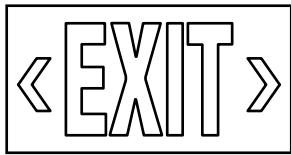
No Chevron (NA)



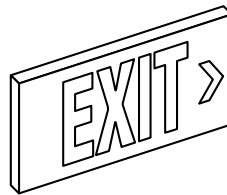
Right Chevron (AR)



Left Chevron (AL)



Double Chevron (AB)



SIDE A



SIDE B

Left & Right Chevron (AS)
(Double Face Only)

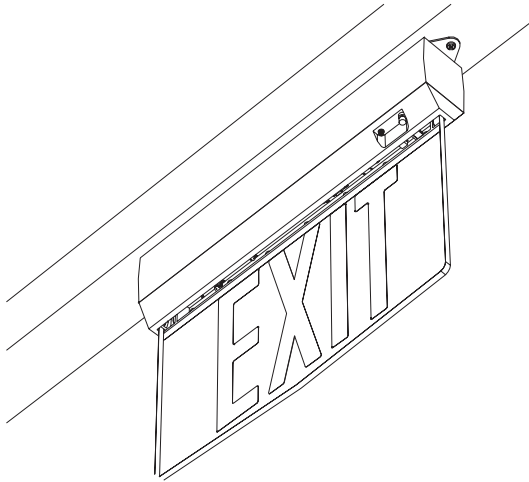
PANEL FIELD REPLACEMENT

In some instances, the ELT panels can be replaced in the field. The single face clear panel replacements must be performed in an Isolite manufacturing facility. For more information please call Isolite customer service.

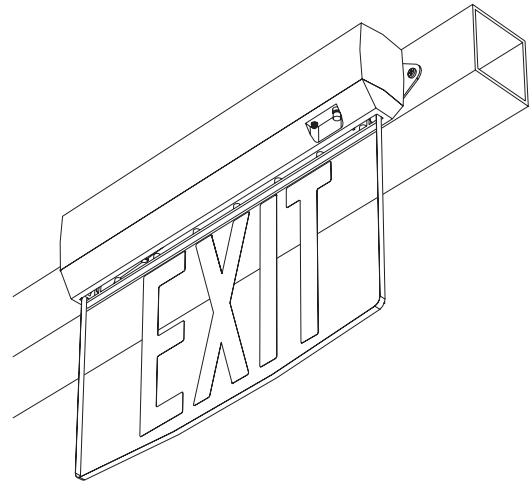
		DESIRED CHANGE				
		1C	1M	1W	2M	2W
EXISTING SIGN	1C		No	No	No	No
	1M	No		Yes	Yes	Yes
	1W	No	Yes		Yes	Yes
	2M	No	Yes	Yes		Yes
	2W	No	Yes	Yes	Yes	

MULLION MOUNT ORDERING GUIDE

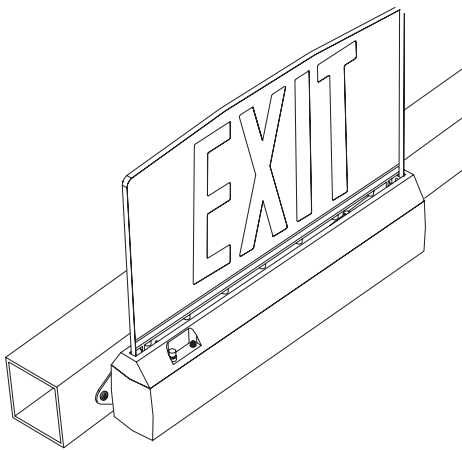
MMT - Mullion Mount (Top)



MMRSTD - Mullion Mount Rear (Standard Panel)



MMRINV - Mullion Mount Rear (Inverted Panel)



MMB - Mullion Mount (Bottom)

