

DATE:	LOCATION:
TYPE:	PROJECT:
CATALOG #:	

ELWR Series

INDUSTRIAL LED REMOTE FOR ELSS CENTRAL BATTERY

FEATURES

- Designed specifically for use with the ELSS Central Battery
- Available in wet location NEMA 4X/IP66 rated
- Fully adjustable lamp-heads offer 696lms. or 1126lms. with high-power
- Designed for -22°F to 122°F (-30°C to 50°C)



RELATED PRODUCTS

- [ELSS Central Battery](#)
- [ELOR Outdoor LED Remote](#)
- [ELIR Indoor LED Remote](#)
- [EVEURW-DC Thermoplastic Exit Sign](#)
- [EVE4XURW-DC NEMA 4X Exit Sign](#)



SPECIFICATIONS

APPLICATION

- Remotes do not include a battery which minimizes individual batteries throughout the space
- For use in hose-down or wet locations
- Mount from 7' to 20' high
- Eliminates battery maintenance in high mount applications

CONSTRUCTION

- Polycarbonate housing and lamp-head cover with die-cast aluminum lamp-heads, lens in polycarbonate
- Includes 1/2" conduit entry at top center and each side
- Fully gasketed with stainless steel fasteners
- Includes gasket for back of fixture, and side brackets for wet location

INSTALLATION

- Universal mounting template molded in the back of housing
- Input/output connection through surface conduit or wire entry from outlet box at rear of unit
- In wet or NEMA 4X applications, use UL listed water tight conduit fittings that meet the requirements of the UL 514B Standard for Conduit Tubing and Cable Fittings when using knockouts on the side or top of unit
- Unit mounts to all single gang and standard 3 1/2" and 4" square or octagonal electrical boxes

OPERATING TEMPERATURE RANGE

- Wet Location Listed: -22° to 122°F (-30° to 50°C)

COMPLIANCES

- Wet Location Listed to UL924 Standard
- NEMA 4X/IP66 Certified
- Designed to NFPA101, NFPA70 requirements
- FCC Certified

WARRANTY

- Full 5 year warranty
- See [HLI Standard Warranty](#) for additional information

ORDERING GUIDE

Example: ELWRD

CATALOG #

Catalog Number	Description
ELWRD	Double head, 696lms., 10 watts, NEMA 4X, Gray Housing
ELWRDHP	Double head, 1126lms., 16 watts, NEMA 4X, Gray Housing

KEY DATA	
Lamp Color	
Total Lamp Output	
System Efficacy (LPW)	
Rated LED Lifecycle (Hours)	

DATE: _____ LOCATION: _____

TYPE: _____ PROJECT: _____

CATALOG #: _____

ELWR Series

INDUSTRIAL LED REMOTE FOR ELSS CENTRAL BATTERY

Accessories

- ELSS** Central Battery
- ELOR** Outdoor LED Remote
- ELIR** Indoor LED Remote
- EVE4X-DC** Thermoplastic Exit Sign
- EVE4X-DC** DC NEMA 4X Exit Sign



ELSS Central Battery



ELOR Outdoor Remote



ELIR Indoor Remote



EVE-DC Thermoplastic Exit Sign



EVE4X-DC NEMA 4X/IP66 Exit Sign

ELECTRONICS

The ELWR Industrial LED remote includes a current sensitive LED driver module which regulates battery power at 400 or 800mA. An input and output connector provides input power to drive the LEDs. The input connection is not polarity sensitive. The output connector allows for multiple remotes to be connected in a daisy-chain. Remotes must be connected within 150' of the Central Battery which provides DC power when normal AC power is lost.

LED Information

CCT: 6200K

CRI: XX

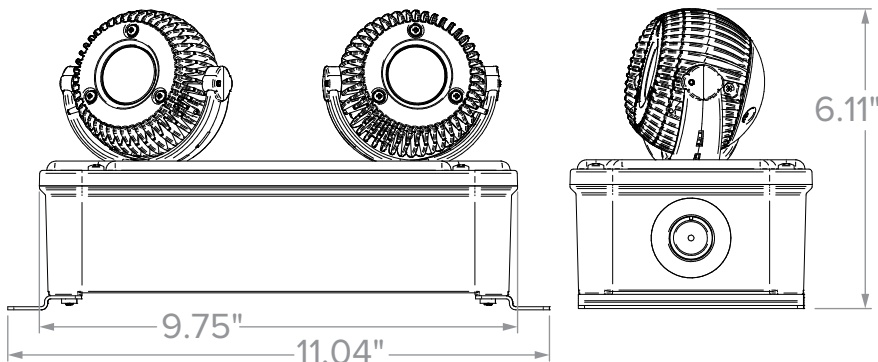
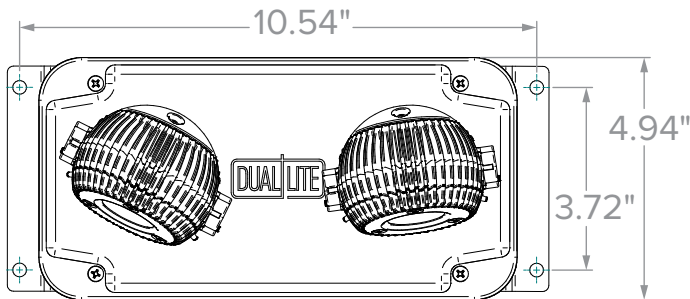
REMOTE LOAD GUIDE



ELWR NEMA 4X Remote

Part Number	Required Watts	Spacing (7.5MH)
ELWRD	10W	58'
ELWRDHP	16W	79'

DIMENSIONS



DATE: _____ LOCATION: _____

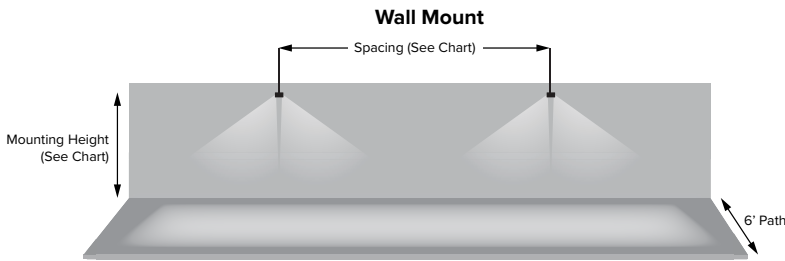
TYPE: _____ PROJECT: _____

CATALOG #: _____

ELWR Series

INDUSTRIAL LED REMOTE FOR ELSS CENTRAL BATTERY

APPLICATION INFORMATION



MULTIPLE UNIT SPACING BASED ON 6' PATH

Industrial Parameters: Ceiling Height = 30', Reflectance = 10/10/10, Wall Mount Multiple Unit Spacing, 6' Path

ELWRD, 696 Lumens, 10 Watts

Mounting Height	7.5'	10'	12'	14'	16'	18'	20'
Max. Spacing @ 1FC avg.	94'	80'	78'	78'	77'	72'	72'
Max. Spacing @ 1FC min.	78'	70'	74'	70'	74'	74'	74'

Industrial Parameters: Ceiling Height = 30', Reflectance = 10/10/10, Wall Mount Multiple Unit Spacing, 6' Path

ELWRDHP, 1126 Lumens, 16 Watts

Mounting Height	7.5'	10'	12'	14'	16'	18'	20'
Max. Spacing @ 1FC avg.	110'	106'	106'	102'	100'	100'	100'
Max. Spacing @ 1FC min.	110'	86'	90'	86'	86'	86'	90'

PHOTOMETRY

ELWRD

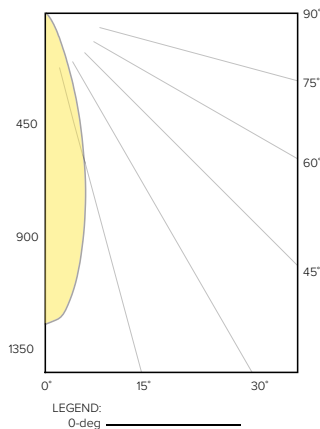
LUMINAIRE DATA

Test No.	21.00436
Description	Single Remote Emergency Head
Watts	4.5
Efficacy	102.2 lm/W
Mounting	Wall

ZONAL LUMEN SUMMARY

Zone	Lumens	% Luminaire
0-40	412	89.6
0-60	450	97.8
0-90	460	100.0
0-180	460	100.0

POLAR GRAPH



CANDELA DISTRIBUTION

Angle	Candela
0	1248
5	1154
15	607
25	201
35	73
45	30
55	15
65	7
75	2
85	0
90	0

ELWRDHP

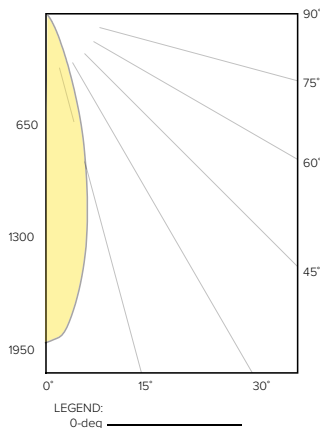
LUMINAIRE DATA

Test No.	21.00437
Description	Single Remote Emergency Head
Watts	8.2
Efficacy	83.1 lm/W
Mounting	Wall

ZONAL LUMEN SUMMARY

Zone	Lumens	% Luminaire
0-40	611	89.5
0-60	667	97.7
0-90	683	100.0
0-180	683	100.0

POLAR GRAPH



CANDELA DISTRIBUTION

Angle	Candela
0	1908
5	1758
15	914
25	288
35	102
45	44
55	23
65	11
75	3
85	1
90	0