

DESCRIPTION

The Sure-Lites ELX series is a UL924 compliant recessed architectural exit. It can be recessed into a ceiling or wall and side or end mounted and is available with red or green letters with clear, white or mirrored background. The housing is available with a black, white or brushed aluminum finish.

Catalog #		Type
Project		
Comments		Date
Prepared by		

SPECIFICATION FEATURES

Electronics

- Dual Voltage Input, 120/277 VAC or 120/347 VAC, 60Hz
- Long-life energy efficient LED lamps
- Line-latching
- Solid-state Voltage Limited Charger
- Solid-state Switching
- Brownout Circuit
- Low-Voltage Disconnect
- Overload/Short Circuit Protection
- Test Switch/Power Indicator Light
- Photocell Test Switch (requires accessory laser for activation)
- Fully recharged in 24 hours

Battery

- Sealed Nickel Cadmium
- Maintenance-Free, Long-Life
- Full Recharge Time, 24 hrs.(max.)
- Color Coded Leadwires

Housing Construction

- 20-gauge steel housing with nine conduit knockouts
- Recessed housing available for ceiling, wall or end mounting
- Adjustable hanger bars
- Modular connectors facilitate installation and maintenance
- Electronics housed in back box and on trim plate

Trim/Housing Plate

- Injection molded, high-impact acrylic panel
- NFPA 101 compliant chevron directional indicators (when specified)
- Die cast trim plate in Brushed Aluminum (standard), Brass, Chrome, White, Black and Bronze
- Red or green letter colors
- Clear, mirror, or white insert background
- Mirror background and white inserts provided standard with all exits (Mirror background

- installed on all exit faces)
- Molded letters and chevrons improve aesthetic appearance and increase visibility
- Torsion springs secure trim plate to housing - no visible mounting hardware

Code Compliance

- UL 924 Listed
- Life Safety NFPA 101
- NEC/OSHA
- Most State and Local Codes

Warranty

- Exit: 5-year
- Battery: 7-year pro-rated

Lamp Data

- Nine super-bright, long-life LEDs provide uniform light output red or green lettering only
- Extremely economical lamp operation
- DC: LED Lamps



ELX SERIES

EDGE LIT EXITS
SELF POWERED EMERGENCY
LED LAMPS
EXIT LIGHTING

SAMPLE NUMBER: ELX717000RCSD

Series	Face Options	Battery	Factory Options	Trim Finish
ELX7=Self-Powered, LED Lamps	1=Single 2=Double	70=Nickel Cadmiun	00=No Options	[Blank]=Brushed Aluminum BL=Black WH=White
Letters / Background	Chevron Direction	Voltage		
G=Green / Clear (Single Face Only) R=Red / Clear (Single Face Only)	[Blank]=No Chevron AL=Left Chevron AR=Right Chevron ARL=Chevrons Right / Left (Double Face Only) DA=Double Chevron	[Blank]=120 / 277V 47=120 / 347 VAC		
Mounting Options				

C=Ceiling
E=End
W=Wall

ENERGY DATA

Maximum power consumption under all charge conditions:

LED Exits, Red Letters SELF-DIAGNOSTICS

Input Power:
120V = 4.4W
277V = 4.4W
Input Current (Max.):
120V = .04A
277V = .02A
Power Factor:
120V = >.87
277V = >.86
T.H.D.:
120V = <27.8%
277V = <28.1%

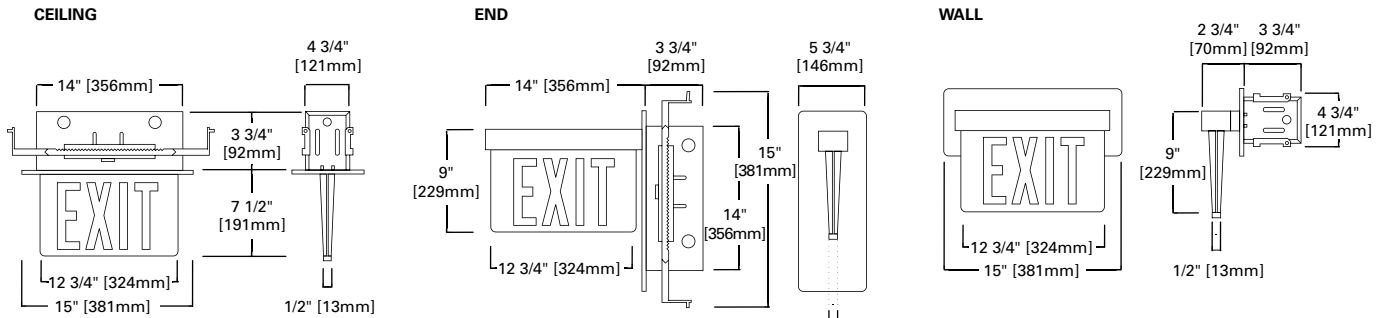
LED Exits, Green Letters Self-Diagnostics

Input Power:
120V = 4.8W
277V = 4.8W
Input Current (Max.):
120V = .05A
277V = .02A
Power Factor:
120V = >.89
277V = >.89
T.H.D.:
120V = <25.5%
277V = <25.7%

CHEVRON CONFIGURATIONS

	FRONT	BACK	FACE
AR	EXIT>	Blank	Single
AL	<EXIT	Blank	Single
DA	<EXIT>	Blank	Single
DA	<EXIT>	<EXIT>	Double
ARL	EXIT>	<EXIT	Double

MOUNTING OPTIONS



Note: See spec sheet for

TECHNICAL DATA

Lamps

Optimized for energy efficiency and aesthetic appearance, the ELX Series Exit uses super-bright, longlife LED lamps to illuminate the exit lens.

Power Pack

Dual voltage 120/277 VAC power module is contained in the rough-in section. It will automatically illuminate the sign face for 90 minutes during a power interruption. Power module is equipped with maintenance-free sealed nickel cadmium battery.

Electrical

The electronics with quick connect AC power connectors and simple wiring combine to make installation of the ELX Series Exit fast and easy. Self-Powered versions are standard 120/277 VAC or can also be specified as 120/347 VAC. If necessary, ELX Series electronics, housings, and trim assemblies can be shipped separately for rough-in situations.

Housing Construction

The rugged 20-gauge die-formed cold rolled steel housing is finished with white corrosion resistant polyester powder coat paint. Housing has conduit knockouts in top, end and sides for easy AC wiring connections. Fully adjustable, captive bar hangers make installation easy. The ELX Series Exit is compatible with grid ceiling systems or hard ceiling and wall applications. Ceiling, end, and wall mount fixtures use one common housing which is suitable for mounting in 2 x 4 construction.

Trim

The high-impact, clear acrylic lens panel with precision molded lettering and NFPA 101 compliant directional chevrons makes the face panel of this exit sign clearly superior. A choice of red or green letter colors and clear, mirror, or white drop-in background inserts enables precise control of the fixture's aesthetic appearance. The rugged die cast trim plate is attached to the housing back box with torsion springs to insure a tight fit against any wall or ceiling surface. Foam gasketing insures against unsightly light leaks. The standard brushed aluminum finish blends with most any decor. Other finishes are available.

Line-Latched

Sure-Lites' line-latched electronic circuitry makes installation easy and economical. A labor efficient AC activated load switch prevents the lamps from turning on during installation to a non-energized AC circuit. Line-latching eliminates the need for a contractor's return to a job site to connect the batteries when the building's main power is turned on.

Solid-State Charger

Supplied with a 120/277 VAC, voltage-regulated, solid-state charger. Immediately upon restoration of AC current after a power failure, the charger provides a high charge rate. The charge circuit reacts to the condition of the battery and alters the rate of charge in order to maintain peak battery capacity and maximize battery life. Solid-state construction recharges the battery following a power failure in accordance with UL 924.

Overload and Short Circuit Protection

The solid-state overload monitoring device in the DC circuit disconnects the lamp load from the battery should excessive wattage demands be made and automatically resets when the overload or short circuit is removed. This overload current protective feature eliminates the need for fuses or circuit breakers for the DC load.

Brownout Circuit

The brownout circuit on Sure-Lites' exits monitors the flow of AC current to the exit and activates the emergency lighting system when a predetermined reduction of AC power occurs. This dip in voltage will cause most ballasted fixtures to extinguish causing loss of normal lighting even though a total power failure has not occurred.

Solid-State Transfer

The ELX Series Exit incorporates solid-state switching which eliminates corroded and pitted contacts or mechanical failures associated with relays. The switching circuit is designed to detect a loss of AC voltage and automatically energizes the LED pcba. Upon restoration of AC power, the emergency circuit will switch off and the charger will automatically recharge the battery.

Test Switch/Power Indicator Light

Conveniently located combination Test Switch/Power Indicator Light allows for manual verification of proper operation of the transfer circuit and emergency lamps.

Sealed Nickel Cadmium Battery

Sure-Lites sealed nickel cadmium batteries are maintenance-free with a life expectancy of 15 years. The sealed rechargeable nickel cadmium battery offers high discharge rates and stable performance over a wide range of temperatures. The specially designed resealable vent automatically controls cell pressure, assuring safety and reliability. This battery is best suited for harsh ambient temperatures because the electrolyte is not active in the electrochemical process.

Warranty

All Sure-Lites' products are backed by a firm five-year warranty against defects in material and workmanship. Maintenance-free, long-life, sealed nickel cadmium batteries carry a seven-year pro-rata warranty.