



# EM-80-LED Series

ALL LED THERMOPLASTIC EMERGENCY LIGHT



PROJECT: \_\_\_\_\_  
 FIXTURE TYPE: \_\_\_\_\_  
 LOCATION: \_\_\_\_\_  
 CONTACT/PHONE: \_\_\_\_\_

## PRODUCT DESCRIPTION

The EM-80-LED Series thermoplastic LED Emergency Light offers contemporary aesthetics, quick installation and premium features such as LED lamps in an economical package.

## PRODUCT SPECIFICATIONS

### CONSTRUCTION

Injection molded, engineering-grade, UV-stable thermoplastic • UL94V-0 flame rating • Impact, scratch, fade and corrosion-resistant • Snap-fit housing and mounting plate • Universal mounting plate with quick-connect feature reduces installation labor • White or black textured finish.

### ELECTRICAL

Dual 120/277 voltage standard • Rated for use in damp locations • Solid state charging and switching • Brownout protection • Battery low voltage disconnect • Overload and short circuit protection • Low-profile, integrated test switch and AC indicator light.

### LAMPS

Long life, energy saving LED lamps • 1W per head (8 LED's per head total)

### HEADS

Includes two 1W white LED lighting heads • Contemporary semi-recessed round head design • High performance chrome-plated metallized reflector and plastic lens for optimal light distribution • adjustable LED lamp heads provide optimal center-to-center spacing

### BATTERY

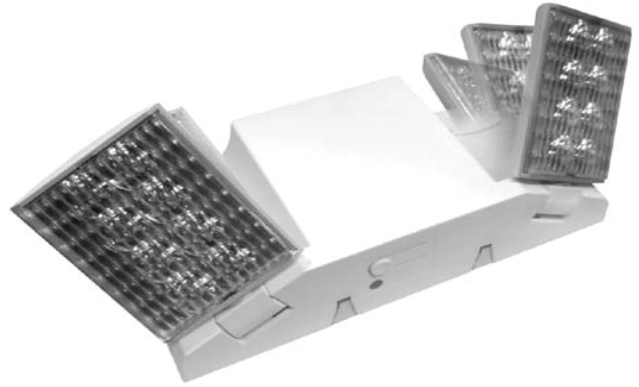
Maintenance-free 3.6V sealed NiCad battery • Standard battery will operate fixture for a minimum of 90 minutes in the event of a power outage

### CODE COMPLIANCE

UL924 • UL Listed for damp locations (0°C – 50°C) • NFPA 101 Life Safety Code compliant • NEC and OSHA compliant • Meets the State of Minnesota energy efficiency requirements.

### WARRANTY

5-year warranty. Product specifications subject to change without notice.



### ENGINEERING DATA

Input Voltage	Max. Amps	Max. Watts
120	0.04	2.0
277	0.02	2.0

## INSTALLATION

### MOUNTING

Suitable for wall or ceiling mounting • Surface mount via easy connect back plate, which fits most standard junction boxes and snaps into place making internal electrical connections



## ORDERING INFORMATION

model	housing color	options	accessories
EM-80-LED	W = White B = Black	SV = 208/220/240 Volt, 50/60Hz	VRS3 = Polycarbonate Vandal Shield WG5 = Wire Guard

Ordering Example EM-80-LED- W- VRS3



# EM-80-LED Series

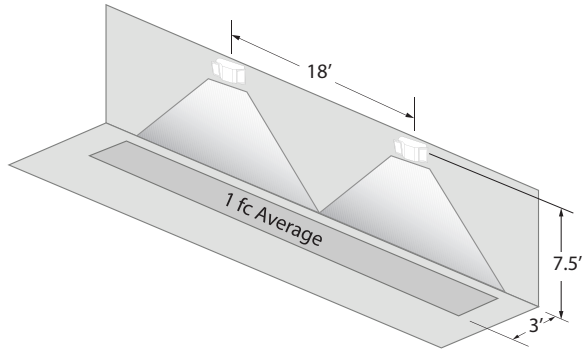
ALL LED THERMOPLASTIC EMERGENCY LIGHT



PROJECT: \_\_\_\_\_  
FIXTURE TYPE: \_\_\_\_\_  
LOCATION: \_\_\_\_\_  
CONTACT/PHONE: \_\_\_\_\_

## SPACING DIAGRAMS

3ft Path Spacing



6ft Path Spacing

