

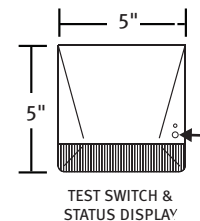
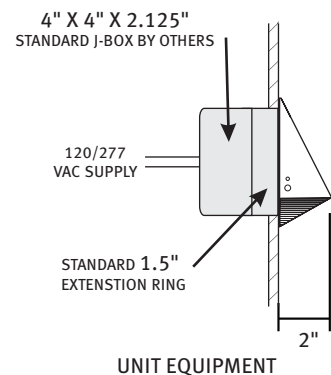


PROJECT: _____
 FIXTURE TYPE: _____
 LOCATION: _____
 CONTACT/PHONE: _____

The ELW features an architectural aluminum housing designed for interior use. At only 5" x 5", this sleek unit is the lowest profile emergency LED wall pack available. It features a high light output that allows for fixture Spacing up to 45FT for 1FC average illumination along the Path of egress. Ideal for any indoor application requiring attractive unit equipment.

PRODUCT FEATURES

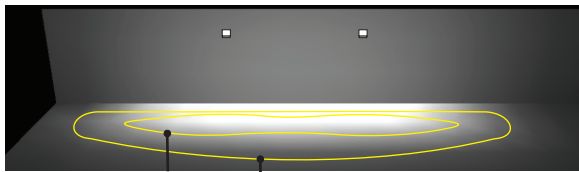
- Superior 40-45 foot center-to-center spacing
- Meets American Recovery & Reinvestment Act of 2009 (ARRA) requirements and Buy American Recovery Act provisions
- Ultra compact, low-profile design
- Durable, all-aluminum construction
- Variety of LED lamping options 7 or 10 Watts (BB Models) 4 or 7 watts (AC Models)
- Impact resistant, contoured prismatic lens
- External LED status indicator and test button
- ETL listed 90 minute emergency run time, 24 hour recharge time
- Universal deep J-Box mounting system
- Optional Self-Diagnostics (DG) available
- 120/277V dual primary, 60Hz input for standard battery on AC unit
- Standard finishes: White Satin
- Optional custom colors available, including brushed aluminum anodized finishes
- Optional Damp Rating (DP) available
- Made in the USA
- 5 year warranty



ORDERING INFORMATION

MODEL	OPERATION	WATTS	HOUSING COLOR	OPTIONS
ELW	BB = Battery Backup	BB Models	W = White	DP= Damp Location
	AC = AC Supply 120/277	7L2 = 7 Watts / 2 Lamp	X = Custom	DG= Battery Diagnostics (BB Models Only)
		10L3 = 10 Watts / 3 Lamp		SB120= Security Lighting with Control Switch for Standard BB Operation (120V)
		AC Models		SD277= Security Lighting with Control Switch for Standard BB Operation (277V)
		4 = 4 Watts		SD= Security Lighting with Control Switch for BB Operation with DG Option (120/277V)
		7 - 7 Watts		ST = Surface Mount Trim (AC Models Only)
				WG = Wire Guard

Ordering Example: ELW-BB-10L3-W-DP



SPACING GUIDE

Model	Mtg. Ht.	SPACING		
		Path of Egress Width		
		3 Ft.	6 Ft.	10 Ft.
7 L2	8 1/2'	40'	35'	25'
10 L3*	8 1/2'	45'	40'	35'

NOTE: TESTED IN ACCORDANCE WITH IES STANDARD LM-79-08 FOR SOLID STATE LIGHTING PRODUCTS. FOR REFERENCE ONLY. STANDARD REFLECTANCES 80/50/20. Mule IS NOT RESPONSIBLE FOR SPECIFIC CONDITIONS THAT MAY ALTER THE RESULTS. COMPLETE IES PHOTOMETRIC DATA AVAILABLE AT www.mulelighting.com FOR YOUR CONVENIENCE.

SUGGESTED SPECIFICATIONS

Install EMLED Series ELW Surface Mount LED down light emergency lighting fixture manufactured by Mule Lighting, Inc., available as unit equipment. Upon loss of AC building power, emergency lighting shall operate for a minimum of 90 minutes in compliance with UL 924 and NFPA LSC Code 101. The unit may be specified to operate continuously for security or night lighting, as required. The battery charger and power supply shall have universal input of 120/277 VAC, with brownout and LVD circuit protection. Auto battery diagnostics shall be available for all models, as specified and shall perform all test functions specified by UL 924 and NFPA

SELF-DIAGNOSTICS

The optional battery diagnostics continuously monitors the operating condition of the AC power, battery supply voltage, emergency lamp continuity and charging circuit.

The purpose of this option is to provide visual indication in response to a fault that may be occurring in the fixture.

The circuit will perform a 30 second discharge and self-test every 28-30 days. A 90 minute discharge and self-test is performed every 6 months.

STATUS	LED DISPLAY
NORMAL FULL CHARGE	● GREEN ON
NORMAL FAST CHARGE	● ORANGE ON
FAILED BATTERY	● RED FLASH FAST
FAILED LAMP	● GREEN FLASH
FAILED TRANSFER	● ORANGE FLASH
FAILED CHARGER	● RED FLASH SLOW

CONSTRUCTION

The smallest wall mount emergency light available: overall size 5" x 5" with 2" profile height. Sturdy aluminum housing and molded polycarbonate lens.

ILLUMINATION

Units can be supplied with LED's offering 7 watts or 10 watts of light output. The high performance LED's have an expected life of up to 50,000 hours with normal use.

ELECTRICAL

INPUT

Dual-voltage input 120 or 277VAC @ 60 Hz

BATTERY

Units are supplied with a Sealed Nickel Metal Hydride battery (NiMH) that are maintenance-free and have a 15 year life expectancy. NiMH batteries perform optimally in temperatures ranging from 0-40 degrees C. NiMH batteries are more environmentally friendly than NiCad or lead acid alternatives as they contain no cadmium or lead.

EMERGENCY

The ELW will operate for a minimum of 90 minutes during a loss of power and features a maximum recharge time of 24 hours for the battery.

The LED lamps are connected in parallel so if one lamp fails, the balance of the LED's will continue to operate. The power supply delivers a regulated current and voltage to the LED lamps to optimize the lamp life. A momentary test switch and indicator light are included.

INSTALLATION

The ELW unit is traditionally wall mounted and requires the rough-in of a standard deep J-box with a 1.5" extension ring supplied by others.

OPTIONS

DAMP LOCATION

The optional Damp Location rating (DP) ensures that the fixture is designed to operate safely in outdoor locations that are protected from the direct elements. Damp location units may be installed indoors. Products with a damp location rating are not designed to withstand constant or significant moisture or direct contact with water or steam.

SECURITY/NIGHT LIGHTING

The optional Security/Night Lighting Control allows the fixture to be used as both an emergency lighting fixture and a security/night lighting fixture. Units with this option will operate each LED at 2 Watts offering 50% output when in security mode and connected to an active building AC supply and wired according to installation instructions. The security lighting circuit is independent of the emergency lighting and may be switched manually by exterior photocell or other automatic means.