



CATALOG NUMBER	TYPE
PROJECT NAME	DATE

SPECIFICATIONS

FEATURES

- NEMA 4x high-capacity emergency unit
- Remote capable: 125, 150, or 200W unit capacity
- Designed for indoor or outdoor use

CONSTRUCTION

- Constructed from UV-stabilized UL 94-5VA flammability-rated PC/PBT blended plastic
- Mounted with four flange-style feet

LAMP

- Choice of no heads, two heads, or three heads
- Side or top mounted PAR36 lamp heads; can be ordered with steel lamp housing

ELECTRONICS

- Dual-voltage input capability: 120/277V
- Low-voltage disconnect
- AC lockout installation

- Brownout protection

BATTERY

- Lead-acid battery is standard, and provides a minimum of 90 minutes of illumination in emergency mode
- Operating temperature range: 10-40° C

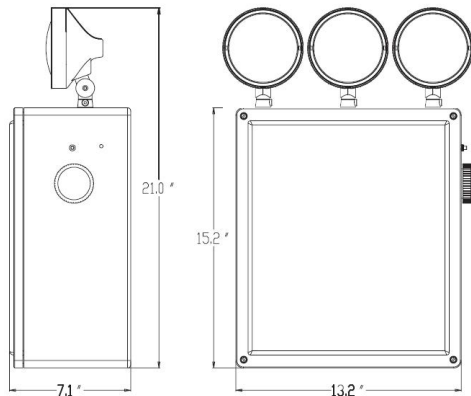
COMPLIANCE

- Meets IP65 of IEC529 and NEMA 1, 2, 4, and 4x specifications
- UL listed to UL508-4x requirements

WARRANTY

- 5-year warranty on housing and electronics. Battery is prorated

DIMENSIONS



EU-HD-4X

125 TO 200 WATT EMERGENCY LIGHT



ORDERING GUIDE

MODEL	VOLTAGE	UNIT WATTAGE	HEAD CONFIGURATION	LAMP TYPE	OPTIONS
EU-HD-4X NEMA 4x Heavy Duty Emergency Unit	6 6V 12 12V	125 125W 150 150W 200 200W	NH No Heads 2S 2 Side Heads 2T 2 Top Heads 3T ² 3 Top Heads	A6 6V 5.4W Wedge Base Lamp B6 6V 10W Bi-Pin Halogen C6 6V 12W Sealed Beam Halogen A12 12V 25W Incandescent B12 12V 50W Incandescent	LC 3 Feet Line Cord 220 220 VAC 50/60 Hz TD ¹ Time Delay

Notes:

1. Time delay must specify AC input voltage and delay time in minutes
2. Special cabinet