



EV4R Series

Recessed Ceiling Mount LED Emergency Light

FEATURES

Application

The EV4R Series is a ceiling mounted, recessed emergency light with superior emergency lighting coverage. The EV4R provides 90 minutes of emergency illumination when primary power is lost. The EV4R Series has a flame-rated, UV stable thermoplastic housing and choice of round or square trim-plate in white or black finish. The 4 LEDs are housed within an aluminum heat-sink and adjustable optic assembly. Each LED is driven at 1 watt each. Includes micro-controlled pulse charger and nickel metal hydride (NiMH) battery. The EV accepts 120/277VAC input at 50 or 60 Hz. Unit can be applied at 220-240VAC input without self-diagnostic option. The EV4R is approved for use in the City of Chicago with the addition of a KIT-EV4R-CP which includes a gasket, foil tape and special installation instructions.

Construction

The EV4R housing and trim-plate is made of flame-rated, UV stable thermoplastic with a lightly textured white or black finish. Each LED is housed in an aluminum heat-sink. Adjustable optic assembly is made of ABS thermoplastic. LED lens are made of acrylic. Includes a steel back-box and caddy-bar assembly.

Installation

The EV4R includes a round or square trim-plate with a rough-in template for back-box installation. Includes a caddy bar assembly for mounting within a T-Grid ceiling. Conduit entry through knock-outs in the back-box. Pre-stripped AC input leads provided. Unit designed for ceiling mount only.

Illumination

The EV Series provides bright and uniform illumination and increased spacing by using 4 high power LEDs which are mounted in an adjustable optic assembly in 2 pairs. Adjustability is based on mounting height for optimal light pattern. LED's are driven at 1 watt each for 88 lumens per LED.

Photometrics are available for download at www.dual-lite.com.

Catalog Number	
Comments	Date



Round or Rectangle Trim-Plates

Compliances

Listed to UL924 Standard, NFPA 101 and NFPA 70
 Damp Location Listed
 IC Rated
 CEC T20 Compliant

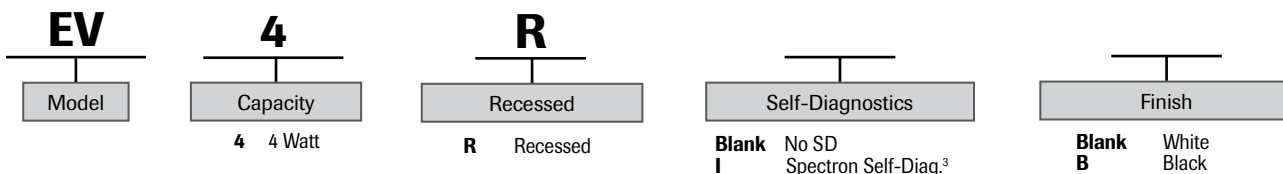
Warranty

LED Lifetime Warranty
 EV4R Full 3 Year Warranty
 EV4R with Spectron® Full 5 Year Warranty

ACCESSORIES

KIT-EV4R -CP Kit for Chicago Plenum Rating (see Note 4)

ORDERING GUIDE



Notes:

1. Each model includes round or square trim-plate
2. Each model is damp listed
3. Not for 220-240VAC input
4. KIT-EV4R-CP adds gasket and foil tape to meet City of Chicago Plenum Rating



EV4R Series Recessed Ceiling Mount LED Emergency Light

SPECIFICATIONS

Electronics

Upon failure of normal utility power, a solid-state transfer switch automatically activates the emergency LED lamp-heads. Upon resumption of normal utility power, the battery is disconnected from the load and recharged through a microprocessor controlled pulse charger. The battery is a maintenance-free Nickel Metal Hydride(NiMH) type. The EV4R series accepts dual-voltage input of 120 or 277VAC at 50 or 60 Hz. Unit can be applied at 220-240VAC input at 50-60 Hz. without the self-diagnostic option. A low voltage battery disconnect (LVD) feature protects the battery from severe damage during prolonged power failures. Manual testing is available at any time using the push-to-test button.

Number of Lamps- 4 High Power LEDs at 1 watt each configured so that if 1 lamp malfunctions, the remaining lamp will continue to provide illumination.

Lamp Color: Cool White

Total Lamp Output: 1W, 88 Lumens per LED

System Efficacy: 80 lm/W

Rated LED Lifecycle: Greater than 100,000 hours

Standard Features:

- Intelligent 2-wire input connection
- External push-to-test switch and AC-on indicator
- Battery re-charge within 24 hours
- AC Lock-out circuit
- Low voltage disconnect
- Conduit entry knock-out located at the top center
- Microprocessor controlled pulse charger

Optional Spectron® Features:

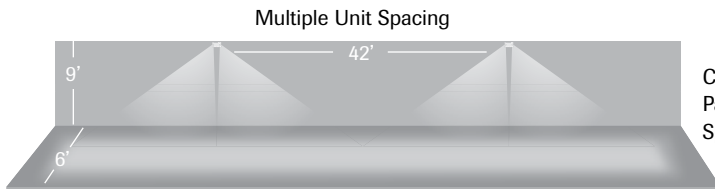
- Self-diagnostics monitors LED status, LED load transfer circuit, battery capacity and charger function and displays any fault detection by means of a flashing code
- Self-Test feature automatically runs a 1 minute test once a month and an alternating 30 or 60 minute test once every 6 months. Multi-color LED indicator provides visible fault detection and charging status
- User initiated 1 or 90-minute system test feature
- 15 minute re-transfer delay
- Automatic unit transfer in brown-out conditions (below 80% of nominal AC input voltage)

Operating Temperature Range:

Damp Listed: 50° to 104°F (10° to 40°C)

Weight: 3.0 lbs

APPLICATION INFORMATION



Ceiling Height: 9'
Path Width: 6'
Spacing: 42'

Meets Life Safety Code minimum illuminance of 0.1 fc and average illuminance of 1.0 fc. Assumes open space with no obstructions, ceiling height of 9' and reflectances of 80/50/20. Photometry files available on the Dual-Lite web site (www.dual-lite.com).

Photometric file reference:
Position 1- 9' Mounting Height
Position 2- 10' Mounting Height
Position 3- 11' Mounting Height
Position 4- 12' Mounting Height

Refer to Instruction Sheet for lamp-head position at installation to maximize spacing

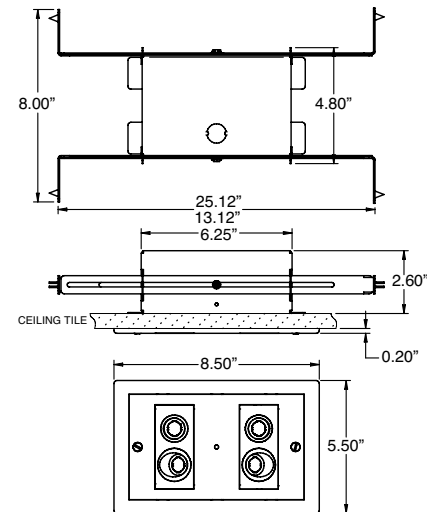
Web: www.dual-lite.com • Tech Support: (866)-313-3909
701 Millennium Blvd. • Greenville, SC 29607 U.S.A.
Copyright © Dual-Lite, a division of Hubbell Lighting, Inc., All Rights Reserved
Specifications subject to change without notice. • Printed in U.S.A.

MAXIMUM POWER CONSUMPTION

	AC Voltage	Hz.	Amps.	Max. Watts	Power Factor
EV4R	120	60	0.022	2.00	0.73
	240	60	0.015	2.51	0.65
	277	60	0.014	2.75	0.63
Maintenance mode power consumption less than 0.5 watts.					

DIMENSIONS

Rectangle



Round

