

DATE:

COMMENTS:

PROJECT



FEATURES

- Illumination 4 times brighter than UL 924 requirement with super-bright, long-life LEDs that have a 25+ year life expectancy
- Premium long-life, high-temperature fused nickel cadmium battery with standard UL listed 3-hour run time
- Battery diagnostic system standard – battery status: detects cell failure and issues alert of reduced capacity and the need to replace battery
- Line-latch prevents unnecessary discharge of battery during installation. Loads will not illuminate until after application of utility power
- Brownout detection ensures emergency operation during periods of low line voltage
- Sealed external momentary test switch and dual diagnostic LED indicator displays AC presence and Hi-Charge status
- Self-Test / Self-Diagnostic monitoring available
- Zero current low-voltage disconnect
- Unique electronic driver circuit provides current control and protection, ensuring optimum LED efficiency and life
- 120/277 VAC field-selectable inputs



ORDERING INFORMATION *EXP-AC-G-1W-MB-AB*

1. SERIES	2. OPERATION TYPE	3. ILLUMINATION	4. FACE COUNT	5. MOUNTING
EXP	-	-	-	-
	AC AC Only EM Ni-Cad Battery Backup	G Green R Red	1W Single Face, White Background 2W Double Face, White Background	MB Back Mount (Surface Wall) ME End Mount / Side Mount MP Pendant Mount
6. CHEVRONS	7. OPTIONS			
AB Double Arrow AL Arrow Left AN No Arrows AR Arrow Right AS Right & Left Arrow (Double face only) AU Universal Chevron Kit	BLANK = NO OPTION SD Self-Diagnostics PV Inverted Panel (Legend) VF Other Input Voltage (Indicate Volt & Frequency) FL Flasher			

ACCESSORIES; ORDER SEPARATELY

- WG 1 = Wire guard 17.0" X 17.0" X 17.0"

CONSTRUCTION

- Precision die-cast aluminum housing with a flawless, laser-formed acrylic legend

INPUT POWER

- AC models: Red 1.5 watts; Green 2.3 watts
- EM models: Red 2.5 watts; Green 3.0 watts

LETTERS

- 6" high; 0.75" stroke

ARROWS

- NFPA-Type, universal field installable, self-adhesive chevrons

WEIGHT

- 15 lb

APPROVALS

- Class I, Div 1 Groups C & D
- Class I, Div 2 Groups A, B, C & D
- Class II, Div 1 Groups E, F & G
- Class III, Div 1
- Class I, Zone 1, Groups IIA, IIB
- Class I, Zone 2, Groups IIA, IIB + H2 & IIC

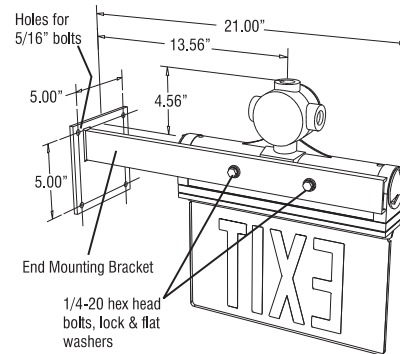
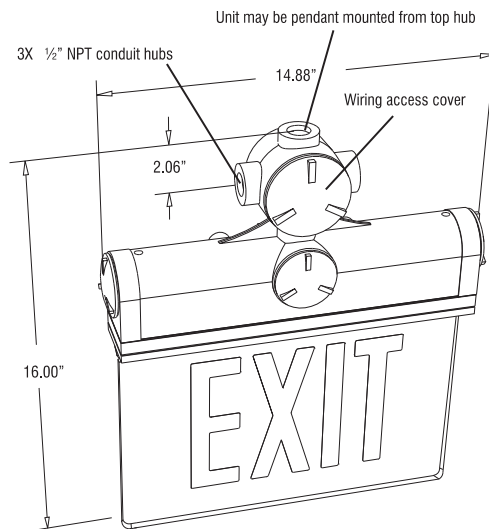
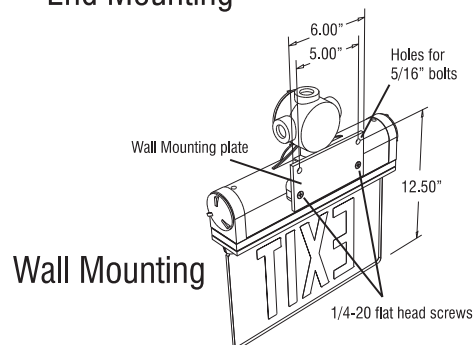
- Temperature Class (T-Rating) - T6
- UL 924
- NFPA 101 Life Safety Code
- NFPA 70- NEC
- OSHA
- IP65

TEMPERATURE RATING

- From 50°F to 104°F

WARRANTY

- Isolite offers a 5-year limited warranty. For further details, refer to General Warranty and Obligations in the Isolite manual or on our website

DIMENSIONS

End Mounting

Wall Mounting