



# FHEC32



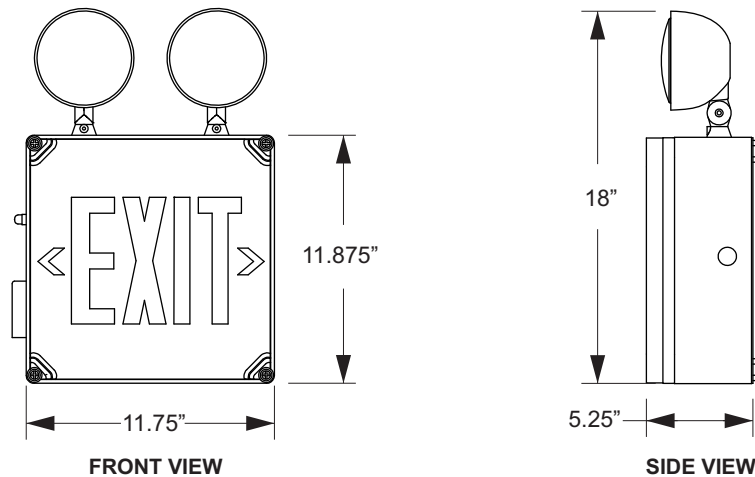
## Wet-Location Combo LED Exit Signs/Emergency Lights

- Push-to-test switch
- LED charge indicator
- Sealed and gasketed housing
- Field selectable chevron directional indicator punch-outs
- Ni-Cd premium battery
- Integral breather vent
- Resistant to corrosive atmospheres, non-hazardous dust environments, frequent hose-downs, water spray or splashing water
- Dual voltage 120V/277V
- UL Listed in accordance with UL924

### General Specifications

Input Voltage	120/277VAC
Input Current (120V)	67mA
Input Current (277V)	30mA
Input Power (120V)	7.5W
Input Power (277V)	7.8W
Operating Frequency	60Hz
Operating Ambient Temperature Range (Ta)	10°C to 40°C / 50°F to 104°F
Overall Size	11.75" L x 18" H
Emergency Operation	90 minutes
Compliance	UL 924 Listed Wet Location
Warranty	5 years from the date of manufacture

### Mechanical Data



### Part Number Matrix

**FHEC32**      **R**

Letter Color  
R = Red