



FHEC34



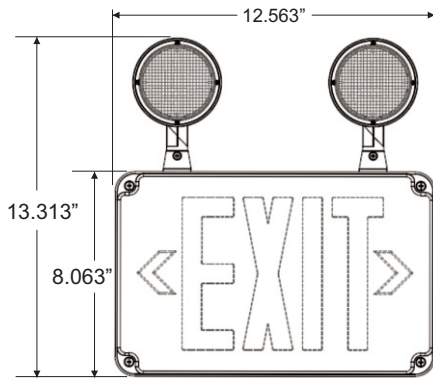
Mini Wet Location LED Exit Sign

- Maintenance-free, NiCd battery
- Energy Saving LED
- Double faced
- Universal knock-out chevrons
- Corrosion and impact resistant thermoplastic housing
- Optional Remote Capable version offers up to an additional 3W for 90 minutes
- Compatible with FHEM12RH (See Specification Sheet for details)
- Sealed and gasketed housing, includes two sealed and gasketed 3.6V, 1.17W weatherproof plastic LED lamp heads
- Ideal for: stores, offices, hospitals and school corridors
- Optional cold weather heater allows use in temperatures down to -20°C

General Specifications

	FHEC34G	FHEC34R	FHEC34RRC	FHEC34GRC	FHEC34RHTR
Input Voltage	120/277VAC				
Input Current (120V)	35mA	35.3mA	37.7mA	36.2mA	36mA
Input Current (277V)	16mA	16.2mA	17.2mA	15.7mA	18mA
Input Power (120V)	4.01W	4.06W	4.32W	4.13W	4.38W
Input Power (277V)	4.2W	4.3W	4.57W	4.13W	4.38W
Operating Frequency	60Hz				
Max Initial Light Output	170.6 Lumens				
Operating Ambient Temperature Range (Ta)	0°C to 40°C / 32°F to 104°F -20°C to 50°C / 68°F to 122°F with heater option				
Overall Size	12.563" L x 13.313" H x 2.5" W				
Emergency Operation	90 minutes				
Compliance	UL 924 Listed Wet Location				
Warranty	5 years from the date of manufacture				

Mechanical Data



FRONT VIEW



SIDE VIEW

NOTE:

1) In order to maintain proper operation and warranty coverage, the battery must be recharged once per year prior to installation.

Two 3.6V, 1.17W LED Lamp Heads

Part Number Matrix

FHEC34

R

RC

Letter Color
R = Red
G = Green

Options
RC = Remote Capable
HTR = Heater*

*Heater option cannot be combined with remote capability