

## Grande™ Exit Series

Specification-grade, LED, thermoplastic, snap together exit sign



### Grande™ Thermoplastic Family



Grande™  
Combo series  
PG. 38-39



Grande™ Compact  
Battery series  
PG. 88-89



Grande™  
Battery series  
PG. 90-91



ELF640 &  
ELF650  
Remote series  
PG. 136-137

### Construction

- Mist white or black UV stabilized thermoplastic enclosure
- 6 inch EXIT lettering legend, available in red or green
- Field-selectable chevrons

### Mounting

- Surface mount
- Canopy included for end or ceiling mount applications
- Universal J-Box mounting

### Special Wording Panels

Available. Contact your sales representative with your design requirements

### Electronics

- Optional Improved Diagnostics
- Optional Nexus®Pro IoT monitoring system
- Optional Nexus® wired and wireless monitoring system
- 120/277 60Hz
- Compatible with Lightalarms Mini Inverters (contact your sales representative for more information)

### Approvals

- UL 924 Listed
- Damp location 32°F to 104°F (0°C to 40°C)
- Meets NFPA101 (Life Safety Code), NFPA 70 NEC, OSHA illumination standards
- E-California Energy Commission Title 20

**Warranty** (subject to proper installation and maintenance)

Five-year limited warranty

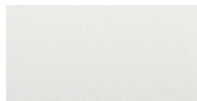
Detailed warranty terms located on **page 197** or online at: [www.lightalarms.com](http://www.lightalarms.com)



### Housing color

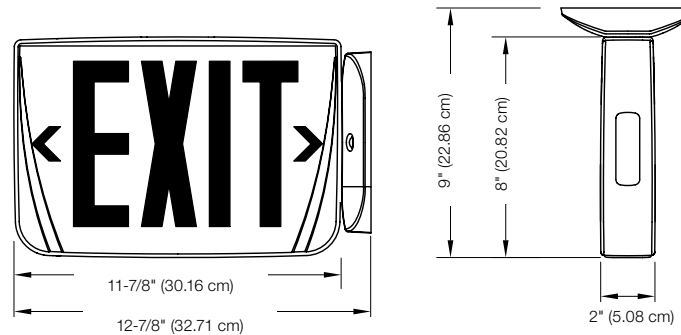


Black



White

**Dimensions** (Dimensions are approximate and subject to change):



**Power consumption chart**

Model	AC Specs	DC Specs
AC-Only	120/277VAC, 60Hz (Less than 2.5W)	-
AC / DC-remote	120/277VAC, 60Hz (Less than 2W)	6 to 48VDC (Less than 1.5W)
Self-powered	120/277VAC, 60Hz (Less than 3.3W)	Nickel-Cadmium battery (Min . 90 minutes)
Self-powered with Diagnostic	120/277VAC, 60Hz (Less than 2.8W)	Nickel-Cadmium battery (Min . 90 minutes)

**Accessories** (Order as a separate item)

Description	Product Code
Wire guard, Back mount	WG1-L
Wire guard (ceiling mount and end mount)	WG5-L
Pendant white	GRA-P*-W
Pendant black	GRA-P*-B

\*Specify pendant length (12", 24", 36" etc)

**Ordering format**

Series	Unit type	Legend color/ # of face	Housing color	Options
<b>GRAN</b>	<b>AC</b> = AC-Only (120/277V) <b>DC</b> = 120/277VAC & 6 to 48VDC <b>21</b> = Dual AC circuit (2x120V) <b>22</b> = Dual AC circuit (2x277V) <b>N</b> = Self-powered Nickel-Cadmium <b>ND</b> = Self-powered with Improved Diagnostics circuitry <b>-NEX</b> = Nexus® wired <sup>1</sup> <b>-NEXP</b> = Nexus®Pro IoT <sup>1</sup> <b>-NEXRF</b> = Nexus® wireless <sup>1</sup>	<b>R</b> = Red universal <b>G</b> = Green universal <b>R1</b> = Red single face <sup>3</sup> <b>R2</b> = Red double face <sup>3</sup> <b>G1</b> = Green single face <sup>3</sup> <b>G2</b> = Green double face <sup>3</sup> <b>Open face</b> <sup>2</sup> <b>RW</b> = Red on white universal <b>GW</b> = Green on white universal  <b>Universal</b> = (2) faceplates, (1) backplate and (1) canopy <b>Single face</b> = (1) faceplate, (1) backplate and (1) canopy <b>Double face</b> = (2) faceplates and (1) canopy	<b>W</b> = White <b>B</b> = Black	<b>BA</b> = Brushed aluminum exit stencil <b>-FAF</b> = Fire alarm activated flasher (AC, DC, 21,22 or ND models only) <b>-FB</b> = Flasher buzzer (ND model only) <b>-FBF</b> = Flasher Buzzer + Fire alarm activated flasher (ND model only) <b>-FL</b> = Flasher (ND model only) <b>-LVR1</b> = Polycarbonate shield with tamper proof screws <b>-VR</b> = Vandal-resistant screws

**Example: GRANACRW**

<sup>1</sup> Consult your sales representative

<sup>2</sup> Open face required with special wording legends

<sup>3</sup> Specify single or double for LVR1 or VR options only