



FEATURES

- Passive Infrared (PIR) Sensing Technology
- Up to 40' Mounting Height
- Compatible with all Ballasts
- Ideal for Fluorescent High Bay fixtures in warehouses, manufacturing facilities, and other high ceiling applications
- Simple Adjustable Controls for:
 - Time Delay
 - Day Lighting Control
- LED Indicator
- No minimum load requirements
- Interchangeable Lenses for 360° for Aisle Pattern View
- Embedded Relay (no external box required)
- 5 Year Warranty
- UL Listed  US LISTED

SPECIFICATIONS

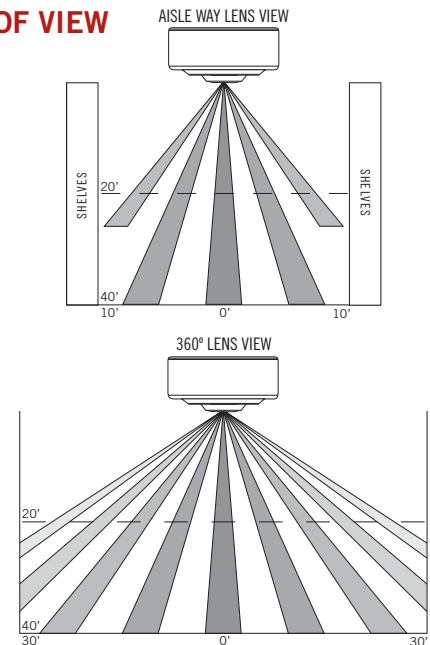
ELECTRICAL

MODEL	HBE-PIR-120/277/347
FREQUENCY	50/60 Hz
MAX. LOAD RATING	800VA @ 120VAC 1200VA @ 277VAC 1500VA @ 347VAC
POWER CONSUMPTION	0.2W @ 120VAC 1W @ 277VAC 2W @ 347VAC

PHYSICAL

- Size: 3.6" h x 3.6" w x 1.8"d
- Case Color: White
- Color Coded Lead Wires: 42" long
- Housing constructed of high impact injected molded plastic

FIELD OF VIEW



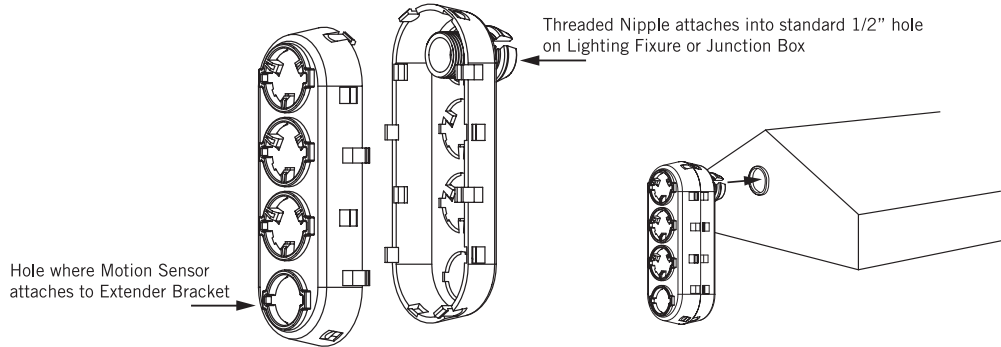
- Wire Designations:
 - Black: Line ("Live")
 - White: Neutral
 - Red: Load
- 1/4 HP Motor Load

PERFORMANCE

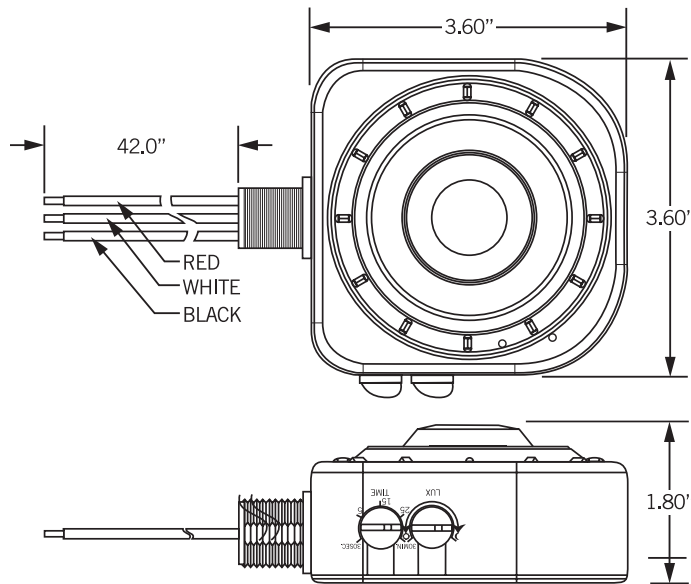
- Mounting Height: Up to 40'
- Time Delay Adjustable: Approximately 30 seconds - 30 minutes
- Daylighting Control Adjustable: 30-2500 Lux
- Operating Temperature Range: 14°F-160°F
- Storage Temperature Range: 14°F-160°F

INSTALLATION

- Mounting: Housing mounts into standard 1/2" Knockout Hole on Lighting Fixture or Electrical Junction Box. Wires feed through Knockout for connection inside Lighting Fixture or Junction Box.
- Extender Bracket (Optional): Extender bracket may be fastened into 1/2" Knockout on Lighting Fixture to allow for Motion Sensor to be installed below the Fixture in order to provide full line of site. Extender Bracket designed so that wires from the motion sensor can pass through the bracket directly into the Lighting Fixture.

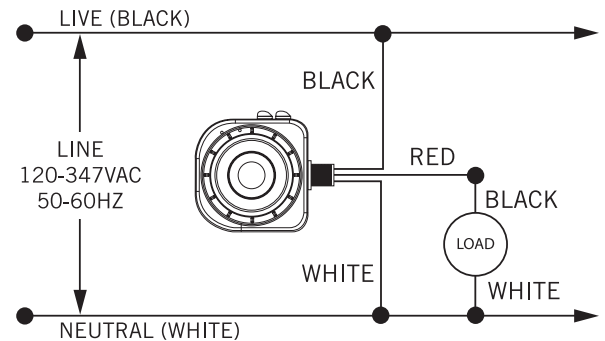


MECHANICAL SPECIFICATIONS



WIRING DIAGRAM

HBE-PIR-120/277/347



ORDERING INFORMATION

CATALOG NUMBER	DESCRIPTION
HBE-PIR-120/277/347	High Bay Motion Sensor Module for 120/277/347V (Aisle and 360° Lens Included)
HBE-EXBT	Extender Bracket for High Bay Motion Sensor Module. Sold Separately.
HBE-LENS-AISLE	Interchangeable Lens - Aisle Way Fresnel Pattern.
HBE-LENS-360	Interchangeable Lens - 360° View Fresnel Pattern.