



# HL

NEMA 4X 18-360 Watt Emergency Light

DATE:	COMMENTS:
PROJECT:	

## FEATURES

- Ideal for use in hostile areas where oil, water, and dust resistant equipment are required.
- Suitable for NEMA 4, 4X, 12, and 13 applications.
- Premium, fully AC limited, "Pulse Switching" charger provides ideal charge conditions for optimum battery performance and life.
- Sealed external momentary test switch and dual diagnostic LED indicator display AC presence and Hi-Charge status.
- External four hole mounting system ensures proper and secure installation with minimal cabinet intrusion.
- Front access panel is hinged for trouble-free installation and ease of maintenance.
- Two fully adjustable, top mounted, MR16 LED style lighting heads
- Capable of powering multiple remote heads.
- Unique locking twist-collar securely holds the lens for quick and easy re-lamping
- Low voltage cut-off prevents battery damage and ensures positive charge acceptance following an extended discharge.
- Self-Test/Self-Diagnostic monitoring is available.
- Uses maintenance free, sealed lead calcium or nickel cadmium battery for 90 minute emergency run time.
- Short circuit battery protection is standard in all units.
- Brownout detection ensures emergency operation during periods of low line voltage.
- Line-latch prevents unnecessary discharge of battery during installation. Loads will not illuminate until after application of utility power.
- Key hole mounting slots and conduit knockouts are provided for additional mounting options.
- 120/277 VAC field selectable inputs (with the exception of the H1/H2 (Internal Heater), and TD (Time Delay) options which require voltage specification upon ordering)<sup>1</sup>.



CLICK THE IMAGE TO VIEW ALTERNATE PRODUCT PHOTOS  
Only available with Adobe Acrobat and Acrobat Reader

## ORDERING INFORMATION HL-LC-12V120W-MB-1-NRH-MT-H1212

1. SERIES	2. BATTERY TYPE	3. OPERATION			
<b>HL</b>	-	-			
	<b>LC</b> Lead Calcium Battery Backup	<b>6V18W</b> 6 Volts, 18 Watts	<b>6V200W</b> 6 Volts, 200 Watts	<b>12V160W</b> 12 Volts, 160 Watts	
		<b>6V27W</b> 6 Volts, 27 Watts	<b>12V27W</b> 12 Volts, 27 Watts	<b>12V180W</b> 12 Volts, 180 Watts	
		<b>6V36W</b> 6 Volts, 36 Watts	<b>12V36W</b> 12 Volts, 36 Watts	<b>12V360W</b> 12 Volts, 360 Watts	
		<b>6V60W</b> 6 Volts, 60 Watts	<b>12V60W</b> 12 Volts, 60 Watts	<b>24V280W</b> 24 Volts, 280 Watts	
		<b>6V72W</b> 6 Volts, 72 Watts	<b>12V72W</b> 12 Volts, 72 Watts	<b>24V360W</b> 24 Volts, 360 Watts	
		<b>6V100W</b> 6 Volts, 100 Watts	<b>12V120W</b> 12 Volts, 120 Watts		
		<b>6V120W</b> 6 Volts, 120 Watts	<b>12V140W</b> 12 Volts, 140 Watts		
	<b>NC</b> Ni-Cad Battery Backup	<b>6V22W</b> 6 Volts, 22 Watts	<b>12V42W</b> 12 Volts, 42 Watts	<b>24V100W</b> 24 Volts, 100 Watts	
		<b>6V42W</b> 6 Volts, 42 Watts	<b>12V90W</b> 12 Volt, 90 Watt	<b>24V200W</b> 24 Volts, 200 Watts	
		<b>6V54W</b> 6 Volts, 54 Watts	<b>12V130W</b> 12 Volts, 130 Watts		
		<b>6V90W</b> 6 Volts, 90 Watts	<b>12V200W</b> 12 Volts, 200 Watts		
4. MOUNTING	5. HEAD COUNT	6. HEAD STYLE	7. HEAD LOCATION	8. LAMP SOURCE <sup>2</sup>	
<b>MB</b>	-	-	<b>MT</b>	-	
<b>MB</b> Back Mount	<b>0</b> No Heads <b>1</b> One Head <b>2</b> Two Heads	<b>HNS</b> HNS Lamp Heads <sup>1</sup> <b>NRH</b> NRH Lamp Heads	<b>MT</b> Top Mount	<b>L65</b> LED 6V 5W <b>L67</b> LED 6V 7W <b>L122</b> LED 12V 2W <b>L125</b> LED 12V 5W	<b>L127</b> LED 12V 7W <b>L245</b> LED 24V 5W <b>L247</b> LED 24V 7W

## 9. OPTIONS

### BLANK = NO OPTION

- SD** Self-Diagnostics
- SR1** Self-Diagnostics + IR Remote Testing Receiver (120 VAC)
- SR2** Self-Diagnostics + IR Remote Testing Receiver (277 VAC)
- H1** Internal Heater - 120 VAC
- H2** Internal Heater - 277 VAC

- FA** Fire Alarm Interface
- LF** Food Prep Lens
- T1** Time Delay - 120 VAC
- T2** Time Delay - 277 VAC

### ORDERING NOTES

1. When Selecting the HNS heads, skip the lamp selection field
2. Additional lamp options may be available, please contact [Quotes@Isolite.com](mailto:Quotes@Isolite.com) if non-LED lamps are required.

### ACCESSORIES ON BACK

**ACCESSORIES; ORDER SEPARATELY**

- **TLRT-IND** = Infrared Remote Control for Industrial Products
- **WG-26.0LX19.0WX9.0D** = Wireguard, Length: 26", Width: 19", Depth: 9"

**SPECIFICATIONS**
**CONSTRUCTION**

- Fully gasketed NEMA 4X rated fiberglass housing
- Durable, gray powder coat finish

**TEMPERATURE RATING**

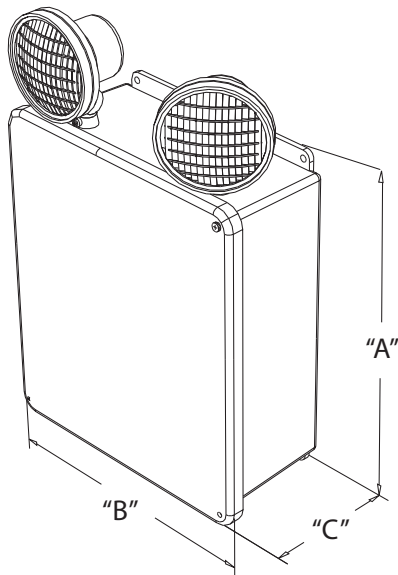
- Without Internal Heater: From 50°F to 104°F
- With Internal Heater: From -4°F to 104°F

**APPROVALS**

- NEMA 4X
- IP66
- CSA-US listed
- Meets or exceeds UL 924 standards
- NFPA 101 Life Safety Code
- NFPA 70-NEC
- OSHA
- BAA Compliant

**WARRANTY**

Isolite offers a 3-year limited warranty. For further details, refer to General Warranty and Obligations in the Isolite manual or on our website. Lamps not warranted.

**DIMENSIONS**


DIMENSION CHART			
CABINET	A	B	C
B	11.44"	9.25"	5.44"
C	13.44"	11.25"	5.44"
D	15.5"	13.38"	6.25"
E	17.5"	15.38"	6.25"

**NOTE**

Please see corresponding cabinet letters next to battery size on right.

**LAMP SPACING**

UNIT SPACING - 9 FT MOUNTING HEIGHT	
LAMP WATTAGE	SPACING (MULTIPLE UNITS)
2W	50'
5W	60'
7W	100'
HNS	250'