

DATE:

COMMENTS:

PROJECT

FEATURES

- NEMA 4X housing
- Housing is fully gasketed for wet location applications
- Wall, Ceiling, End, or Pendant Mounting options
- Uses high output LEDs
- Maintenance-free, sealed nickel cadmium batteries provide a minimum 90 minute run-time - optional 2 hour run-time available
- Solid-state transfer and charger eliminates relay failure caused by particle build-up
- Line latch prevents unnecessary discharge of battery during installation — loads will not illuminate until after application of utility power
- Brownout detection ensures emergency operation during periods of low line voltage
- Sealed External Momentary test switch and dual diagnostic LED indicator display AC presence and Hi-Charge status
- Internal Heater (IH) optional
- 120/277 VAC field selectable inputs (with the exception of the H1/H2 (Internal Heater), and C1/C2 (Dual Circuit) option which require voltage specification upon ordering)
- BAA Compliant



ORDERING INFORMATION *HLX-AC-G-1-MB*

1. SERIES	2. OPERATION	3. ILLUMINATION	4. FACE COUNT	5. MOUNTING
HLX	-	-	-	-
	AC AC Only EM Ni-Cad Battery Backup	G Green R Red	1 Single Face 2 Double Face	MB Back Mount ME End Mount/Side Mount MPAB 12" Swivel Pendant Kit (Black) MPABA 12" Swivel Pendant Kit (Brushed Aluminum) MPAW 12" Swivel Pendant Kit (White) MT Top Mount

6. OPTIONS

BLANK = NO OPTION

C1 Dual Circuit - 120 VAC²

C2 Dual Circuit - 277 VAC²

SD Self-Diagnostics¹

SR Self-Diagnostics + IR Remote Testing Receiver

EB Extended Run time¹

H1 Internal Heater - 120 VAC¹

H2 Internal Heater - 277 VAC¹

AA Audible Alarm (Buzzer)

FA Fire Alarm Interface

FL Flasher

ORDERING NOTES

1. EM Only

2. AC Only. This dual circuit option should only be used for exits which are intended to be connected simultaneously to normal and emergency power circuits, but cannot support two hot inputs. Only one of the normal or emergency circuits can be powered at any given time. Energizing both normal and emergency circuits simultaneously will result in damage to the exit sign.

ACCESSORIES; ORDER SEPARATELY

- WG 1 = Wire guard 17.0" X 17.0" X 17.0"
- WG 10 = Wire guard 13.5" X 12.0" X 16.5"



CONSTRUCTION

- Housing is constructed from corrosion resistant ABS thermoplastic
- NEMA 4X housing fully gasketed with hot bonded silicone
- Industrial gray finish

LETTERS

- 6.0" high; 0.75" stroke

ARROWS

- NFPA type, universal field selectable chevrons

TEMPERATURE RATING WITHOUT INTERNAL HEATER

- From 50°F to 104°F

TEMPERATURE RATING WITH INTERNAL HEATER

- From -4°F to 104°F

APPROVALS

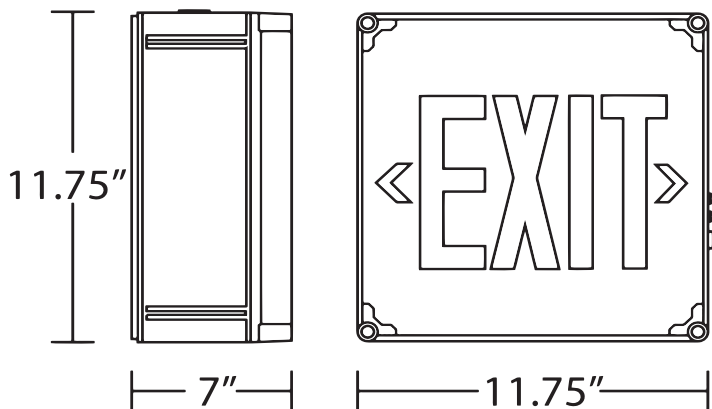
- CSA-US Listed
- NEMA 4X
- CEC Title 20 Compliant
- IP44
- ETL Sanitation Listed
- Meets or exceeds UL 924 standards
- NFPA 101 Life Safety Code
- NFPA 70 - NEC
- OSHA
- BAA Compliant

WARRANTY

Isolite offers a 5-year limited warranty. For further details, refer to General Warranty and Obligations in the Isolite manual or on our website. Lamps not warranted.

DIMENSIONS

Single Face



Double Face

