

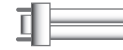


MODEL NO: _____
 TYPE: _____
 PROJECT: _____
 COMMENTS: _____

INITIAL LUMEN OUTPUT

650 Lumens

LAMPS OPERATED*



[1] 18 or 26 Watt Twin Tube **2-PIN** with integral starter

*Refer to Lumen Reference Chart for list of compatible lamps

DESCRIPTION

The **I26** from IOTA is a UL Listed fluorescent emergency ballast that allows the same fixture to be used for both normal and emergency operation. In the event of a power failure, the **I26** switches to the emergency mode and operates **one** of the existing lamps for **90 minutes**. The unit contains a battery, charger, and inverter circuit in a single can. The **I26** can be used with most 18 & 26 Watt quad tube **2-pin** compact fluorescent lamps, with an initial output of up to **650 lumens** for one lamp. The **I26** is available in dual flex **A** and integral **B** mounting configurations. The **I26** is suitable for use in damp locations and enclosed and gasketed fixtures.

SPECIFICATIONS

Input Voltage	(Dual) 120/277V, 60Hz
Input Wattage	3.5 Watts
Lamps Operated	18 & 26 Watt quad tube 2-Pin lamps with integral starter
Emergency Operation	90 minutes
Initial Illumination	(1) lamp 650 lumens
Operating Temp	0° to 50° C
Battery	24 Hour Recharge 7-10 Year Life Expectancy
Weight (configuration)	4.4 lbs. (A) 2.5 lbs. (B)
Approval	UL and CUL Listed

PRODUCT ADVANTAGES

- Available in two different mounting configurations

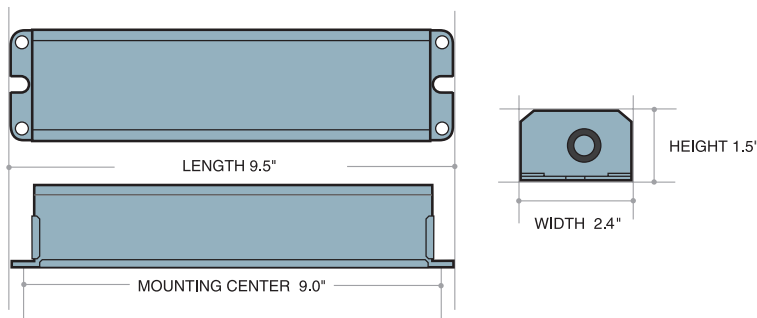
FEATURES

- Will cold start and operate all specified lamps
- Long life high temperature recyclable Ni-Cad battery
- Galvanized steel case
- Includes test switch and charge indicator accessory kit
- For use with switched or unswitched fixtures
- **5-Year Warranty.** See Warranty Page for details.
- Rated for use in damp locations, plenum, and enclosed and gasketed fixtures
- Meets or exceeds all NEC, IBC, and Life Safety Code Emergency Lighting Requirements
- RoHS Compliant



DIMENSIONS

9.5" x 2.4" x 1.5" (mounting center 9.0")



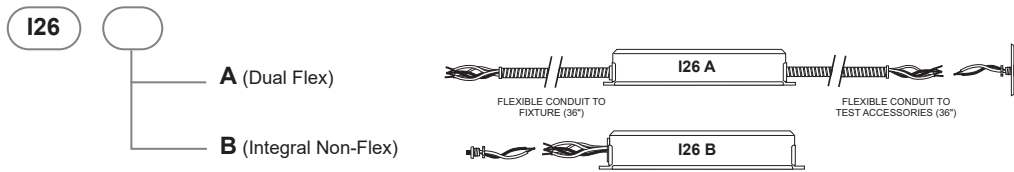
FLUORESCENT

COMPACT

I26

FLUORESCENT EMERGENCY BALLAST FOR 2-PIN LAMPS

CONFIGURATION



INITIAL LUMEN RATINGS

LAMP	1 LAMP
18W PL CF 2-pin	550
26W PL CF 2-pin	650

REMOTE MOUNTING

When battery packs are remote mounted, consult Customer Service for the maximum allowable distance between the battery pack and lamp(s).

Warranty: 5-Year Limited Warranty

Complete warranty terms located at www.acuitybrands.com/CustomerResources/Terms_and_conditions.aspx