



KES SERIES

HIGH CAPACITY EMERGENCY LIGHT



PROJECT: _____
 FIXTURE TYPE: _____
 LOCATION: _____
 CONTACT/PHONE: _____

PRODUCT DESCRIPTION

The KES Series of commercial/industrial emergency lighting units combines a contemporary appearance with state-of-the-art electronics. The KES is an effective, functional unit, available with high capacity maintenance-free batteries for environments requiring remote capability or extended operating times.

PRODUCT SPECIFICATIONS

CONSTRUCTION

Injection molded, engineering-grade, UV-stable thermoplastic • UL94V-0 flame rating • Impact, scratch, fade and corrosion-resistant • Rugged, heavy duty design • Off-White (neutral) finish.

ELECTRICAL

Dual voltage 120/277VAC • Solid state charging and switching • Brownout protection • Battery low voltage disconnect • Overload and short circuit protection • AC power indicator and test switch.

LAMPS

Supplied with 7.2W (6V) and 9W (12V) incandescent lamps standard.

HEADS

Includes two adjustable lighting heads • Contemporary round head design • High performance chrome-plated metallized reflector and glass lens for optimal light distribution • Adjustable lamp heads provide optimal center-to-center spacing.

BATTERY

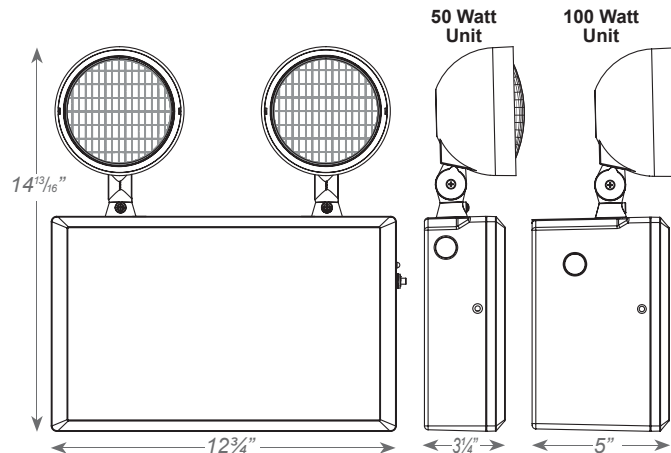
Maintenance-free sealed lead calcium battery • Standard battery will operate fixture and remote load for a minimum of 90 minutes in the event of a power outage

CODE COMPLIANCE

UL924 • UL Listed for Damp Locations (20°C – 40°C) • NFPA 101 Life Safety Code compliant • NEC and OSHA compliant.

WARRANTY

5-year warranty on housing and electronics. 1-year on battery. Product specifications subject to change without notice.



INSTALLATION

MOUNTING

Suitable for wall mounting • Keyhole slots provided for simplified back to wall mounting • Conduit mount knockouts on side and top of housing



ORDERING INFORMATION

model	voltage	wattage	heads	options	accessories
KES	6 = 6 Volt	54 = 54 Watts	2 = Two Heads	USA = Assembled in USA	WG6 = Wire Guard
	12 = 12 Volt	100 = 100 Watts	0 = No Heads		

Ordering Example KES-6-54-2



KES SERIES

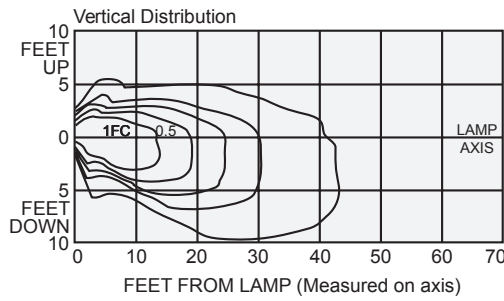
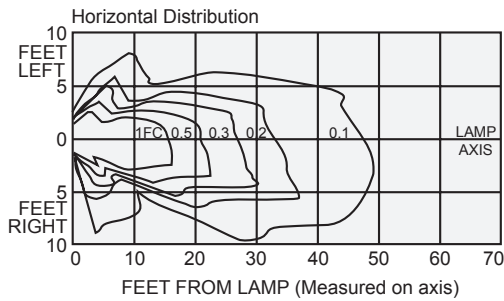
HIGH CAPACITY EMERGENCY LIGHT



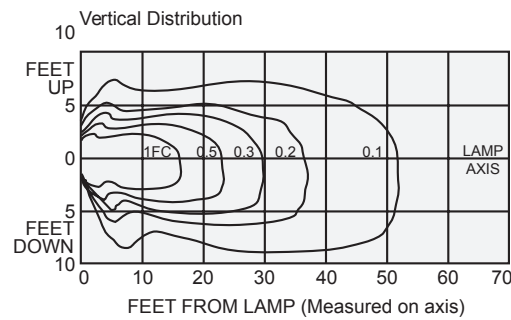
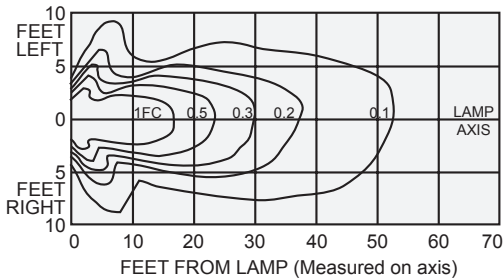
PROJECT: _____
 FIXTURE TYPE: _____
 LOCATION: _____
 CONTACT/PHONE: _____

PHOTOMETRICS

6V, 7.2W Tungsten Wedge Base Lamp (ANSI 927), Round Head



12V, 9W Tungsten Wedge Base Lamp (ANSI 915), Round Head
 Horizontal Distribution



BATTERY DATA

- Lead Calcium battery warranted for one full year with additional 4 years pro-rated warranty
- Recharges in 24 hours or less

Type	Battery Voltage	Shelf Life ¹	Expected Life ¹	Temperature Range ²
Lead Calcium	6V, 10Ah	15 months	5-8 years	40°F-95°F

¹ At 77°F

² To obtain rated life and capacity.

6V 50W ENGINEERING DATA

Input Voltage	Max. Amps	Max. Watts
120	0.14	15.6
277	0.06	15.9

6V 100W ENGINEERING DATA

Input Voltage	Max. Amps	Max. Watts
120	0.20	23.0
277	0.09	23.1

12V 50W ENGINEERING DATA

Input Voltage	Max. Amps	Max. Watts
120	0.15	17.0
277	0.07	18.3

12V 100W ENGINEERING DATA

Input Voltage	Max. Amps	Max. Watts
120	0.28	31.1
277	0.12	31.8