

LALDR CEC Series Emergency LED driver

Convert new or existing LED fixtures into emergency lighting units with constant power emergency LED drivers



Housing

- 20 gauge steel housing, red powder coated finish
- LED illuminated remote test switch

Mounting

- Suitable for installation on top or remotely (up to 50 feet)

Lamp types

- LED lamps with 10VDC to 60VDC operating voltage
- Can be wired for normally-on, normally off or switched loads
- Lumen output depends on LED light source efficacy (lumens/watts)

Electronics

- Universal 120/277, 50/60Hz input
- Provides 90 minutes of emergency operation
- Surge protection
- Output and input overcurrent protection
- Constant power supply in emergency mode

Battery

- Long-life, lithium battery
- 24 hour battery recharge time

Approvals

- Damp location listed
- UL classified for field 50F to 122F
- UL 924 approved, NFPA 101 life safety code, NEC, and BC-California Energy Commission Title 20

Warranty (subject to proper installation and maintenance)

Unit has a three-year warranty

Detailed warranty terms located online at:

www.lightalarms.com

See sample: http://www.lightalarms.com/modules/Files/la_434c_RecArch_LA_Battery_Approved_25-10-2020.pdf



Important note

LEDDR SERIES System Coordination Guidelines

These guidelines were developed to allow the lighting system Designer/Specifier to predict the operating performance levels of LED luminaires when powered by an electrically compatible LEDDR Series model. It is ultimately the responsibility of the Designer/Specifier to ensure that the as installed system delivers code-compliant path of egress illumination.

1. Determine Electrical Compatibility

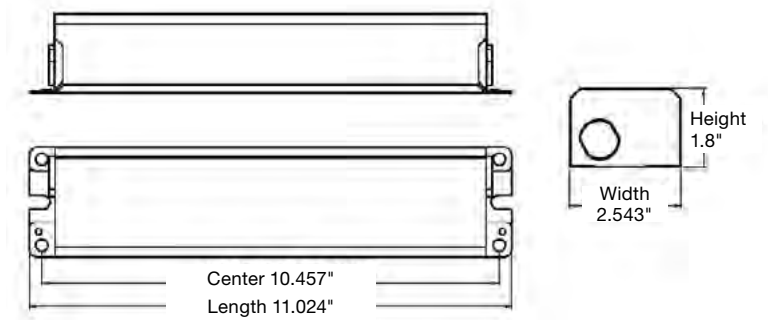
- Verify that the Luminaire LED Driver, where applicable, is Class 2 compliant.
- Verify that the Luminaire LED Lamp(s) have an operating voltage between 10Vdc and 60Vdc.
- Verify that the Luminaire LED Lamp(s) have a power rating equal to, or greater than, the emergency power rating of the LEDDR model under consideration.

Calculate lumen output during emergency operation

- Lumen output = Efficacy (lumen/watt) X emergency LED driver wattage
- In order to understand luminaire efficacy:
 - Access luminaire data by logging onto DesignLites Consortium www.designlights.org
 - Select 'Search the DLC Qualified Product List' on the DLC homepage
 - Enter manufacturer name and P/N of luminaire under consideration in the 'search by keyword' text window
 - Select 'Search' tab to open the 'Qualified Products List'
 - Determine luminaire lumens per watt efficacy in 'Rated Data' specifications
 - Multiply luminaire lumens per watt by emergency output of the 'LED Driver' model under consideration

Dimensions (dimensions are approximate and subject to change)

11.024" x 2.543" x 1.8" (L x W x H)



Electrical information

Model	Output	Input
LALDR-7-CEC	7 Watts	5 Watts
LALDR-12-CEC	12 Watts	7 Watts

How to order

Series	Wattage	Approval
LALDR-	7 12	-CEC= CEC Title 20 for California
Example: LALDR-7-CEC		

BATTERY PACKS