

LCAB-2SQLED Series

1W LED heads, thermoplastic 3.6V Nickel-Cadmium battery unit



Housing

- UV stabilized thermoplastic body
- Two fully adjustable glare-free square lighting heads
- White finish

Mounting

- Ceiling or wall mount
- Universal J-box mounting

Lamp Type

Two 3.6V-1W LED heads total 200 lumens, CCT 6000K

Options

Remote capacity for (2) ELF612/LED, (1) ELF612D/LED or (1) LCARDSQLED available with optional Improved Diagnostics

Photometric performance

Lamp	Spacing center-to-center (feet)	
	7 feet mounting height	15 feet mounting height
LCAB	13'	4'
LCAR	13'	4'
ELF612	13'	4'

Power consumption chart

Series	Battery	DC Specs		AC Specs
		Battery	Battery	Units dual voltage
LCAB-2SQLED	Nickel-cadmium		3.6V	120/277, 60Hz, 0.024A
LCAB-2SQLEDR			3.6V	120/277, 60Hz, 0.028A
LCAB-2SQLEDRID			3.6V	120/277, 60Hz, 0.028A

¹ All units 120/277 dual voltage, information based on wiring to specific voltage type

Electronics

- Pulse plus charger
- Low voltage disconnect
- Automatic brownout protection
- Battery lock-out
- Fused output circuit
- Optional: Improved Diagnostics
- 120/277 60Hz

Battery type

- 3.6V maintenance free rechargeable Nickel-Cadmium battery

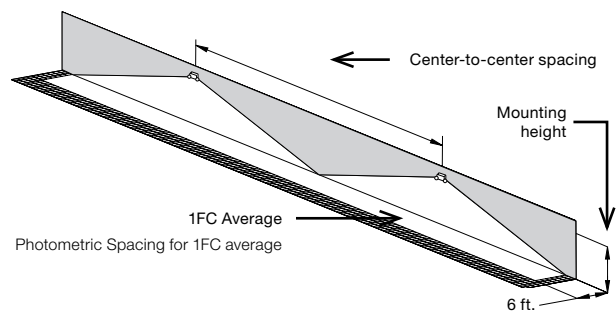
Approvals

- UL 924 listed
- Damp location 50°F to 104°F (10°C to 40°C)
- UL 94, 5VA flame rated

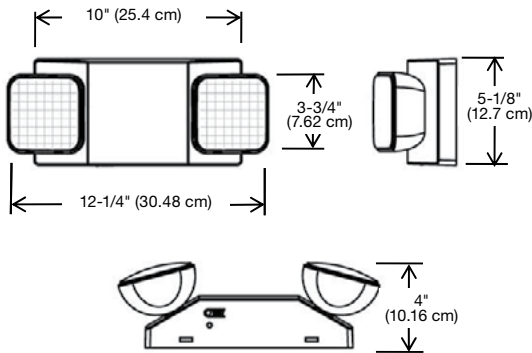
Warranty (subject to proper installation and maintenance)

Three-year full warranty

Detailed warranty terms located on **page 197** or online at: www.lightalarms.com



Dimensions (Dimensions are approximate and subject to change)



Accessories (Order as a separate item)

Description	Product code
Wire Guard	WG10-L
Vandal Resistant Shield	CPS
Vandal Resistant Shield (NEMA-4X)	CPS-4X
Replacement battery LCAB-2SQLED	022433-L
Replacement battery LCAB-2SQLEDR & LCAB-2SQ-LEDRID	2 X 022433-L

Ordering format

Series	Head style / Lamp type	Options
LCAB	2SQLED	Blank = No remote capacity R = 3W Remote capacity ¹ RID = 3W Remote capacity and Improved Diagnostics ¹
Example: LCAB2SQLEDRID		

¹ To be used with the (2) ELF612D/LED, (1) ELF612D/LED or (1) LCARDSQLED.

LCARDSQLED Series

Thermoplastic square LED indoor remote heads



Housing

- Thermoplastic dual head remote
- Wall or ceiling mount

Lamp information

- LED 3.6V, 2W total
- 6000K LED color temperature

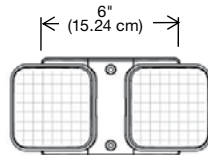
Approvals

- Damp location listed
- UL924 Listed

Warranty (subject to proper installation and maintenance)

Three-year full warranty

Dimensions



Ordering format – LCARDSQLED Series

Series	Head style / Lamp type	Options
LCAR	D = Double	SQLED = Thermoplastic square LED head
Example: LCARDSQLED		

ELF612D/LED Series

Thermoplastic square LED outdoor remote heads



Housing

- ELF612D/LED remote series is multi-volt 3.6, 6 or 12V, 3W total
- Thermoplastic housing and aluminum canopy with fully adjustable LED heads
- Suitable for outdoor application
- Suitable for wet location applications
- Wall or ceiling mount
- Available only in gray or black, single or double head configuration

Approvals

- UL924 Listed

Warranty (subject to proper installation and maintenance)

Three-year full warranty

Dimensions



Ordering format – ELF612D/LED Series

Series	Options	Color
ELF612 = Single ELF612D = Double	/LED = Thermoplastic square LED head	Blank = Gray -Bk = Black
Example: ELF612D/LED		