



LT Series Designer Combination Unit/LED Exit Sign

FEATURES

Application

The LT Series provides bright, even LED exit illumination and emergency lighting, offering a flexible solution for emergency path of egress illumination. Four long life LEDs illuminate the exit sign, and two, semi-recessed "eyeball" shaped lamp-heads with halogen or LED based MR16 lamps provide emergency unit illumination. Remote capacity and damp location options are available.

Construction

The precision-molded thermoplastic housing is impact and scratch resistant, corrosion proof and UV stabilized to resist discoloration. Available in white or black. Innovative snap-together design. Includes additional face-plate for single or double-face applications. Snap-in directional chevrons. Designed for ceiling or wall mounting; can be end-mounted with end-mount accessory kit. Red or green polystyrene .030" diffuser is frequency matched to the LEDs providing optimum exit sign illumination.

Installation

Product mounts to 3½", 4" octagon or 4" square outlet boxes. Housing back-plate includes universal knock-out pattern for outlet box mounting. Keyholes provided for securing housing to wall surface. Pre-stripped pigtail leads provided.

Illumination

Four long-life LEDs provide exit illumination. Exceeds the 2009 UL 924 requirements for brightness and uniformity. Unit illumination by halogen or optional high-performance LED based MR16 lamps.

Compliances

UL 924 Listed (optional damp location listed)
NFPA 70
NFPA 101
U.S. Patent Nos. D406,279, D400,991, 6,280,042, and 6,019,477

Catalog Number	
Comments	Type



Matching indoor remote heads for use with LTUXX3 models
(sold separately)



LZRSW0605 (5W HAL)
LZRSW0603L (3W LED)



LZRSB0605 (5W HAL)
LZRSB0603L (3W LED)

Warranty

Fixture: 3 Years Full, 5 Years Full with Spectron
Battery: 2 Years Full, 3 Years Pro-Rata
Lifetime LED Warranty on Emergency Unit

ORDERING GUIDE

LT

Model	Faces	Letter Color	Finish	Application	Self-Diagnostics	Options
	U Universal Single/Double Face	R Red G Green	W White B Black	Blank Standard Model 3 Remote Capacity Model ⁸ D Damp Location Model ^{5,8}	Blank None I Spectron® Self-test/Self-diagnostic Electronics ¹	Blank 5W Halogen lamps 03L 3W LED Lamp ⁶ 0 Unit supplied without lampheads ² FAP Fire alarm panel interface ^{3,4,7} FM Flasher module ^{4,7} AF Alarm/Flasher module ^{4,7} 24K220-240VAC , 60 Hz operation

¹ Available only with remote capacity and damp location models
² Available with remote capacity (LTUXX3) models without Spectron only
³ Operates with 24-volt AC or DC fire alarm panels
⁴ -FAP, -FM or -AF options may not be specified together
⁵ Not available with -03L(LED) option
⁶ Not available with Spectron Self-Diagnostics
⁷ Only available with Spectron Self-Diagnostics
⁸ Remote and Damp cannot be specified together

ACCESSORIES (order separately)

WGTW	Wireguard (wall mount)
WGTC	Wireguard (ceiling or end mount)
FTSMKW	Side mount field kit (white)
FTSMKB	Side mount field kit (black)
PMLZTW	12½" Pendant mounting kit (white)
PMLZTB	12½" Pendant mounting kit (black)



LT Series Designer Combination Unit/LED Exit Sign

	Output Voltage	Battery	Lamp	Unit Capacity	Runtime	Extended Runtime	Remote Watts	Number of Remotes: 5W HAL	Number of Remotes: 3W LED
Standard Models									
LTURW	6VDC	Lead-Calcium	5W HAL	10 watts	90 min.	No	--	--	--
LTUGW	6VDC	Lead-Calcium	5W HAL	10 watts	90 min.	No	--	--	--
Damp Location Models									
LTURWD	6VDC	Lead-Calcium	5W HAL	10 watts	90 min.	No	--	--	--
LTUGWD	6VDC	Lead-Calcium	5W HAL	10 watts	90 min.	No	--	--	--
Remote Capacity Models									
LTURW3	6VDC	Lead-Calcium	5W HAL	15 watts	90 min.	Yes	5	1	1
LTUGW3	6VDC	Lead-Calcium	5W HAL	15 watts	90 min.	Yes	5	1	1
Spectron® Models									
LTURW3I	6VDC	Lead-Calcium	5W HAL	15 watts	90 min.	Yes	5	1	1
LTUGW3I	6VDC	Lead-Calcium	5W HAL	15 watts	90 min.	Yes	5	1	1
LED Models									
LTURW-03L	6VDC	Lead-Calcium	3W LED	10 watts	90 min.	Yes	--	--	--

SPECIFICATIONS

Standard Features:

- External push-to-test switch and AC-ON indicator
- Exit Sign Letters: 6" height, 3/4" stroke
- Snap-in directional chevrons in Exit Sign
- Low voltage disconnect
- Transformer isolation
- AC lockout
- Temperature compensated charger circuitry
- MR16 Halogen lamp with rated 200 hour life
- Battery recharge time within UL specifications

Optional Features:

- Spectron® self-test/self-diagnostic circuitry monitors lamp status, lamp load transfer circuitry and battery capacity; displays any fault detected via a flashing code. Automatically runs periodic diagnostic routines to ensure unit readiness. Multicolor LED indicates fault condition and charging status.
- LED MR16 lamps rated at 50,000 hour life expectancy.
- Available without integral lamp heads for added run time or remote capacity operation.

Operating Temperature Range:

Standard models: 20°C to 30°C (68°F to 86°F)

Damp location models: 10°C to 40°C (50°F to 104°F)

AC Input Voltage

120VAC or 277VAC: 60 Hz operation standard **Optional 220-240VAC:** 50/60 Hz

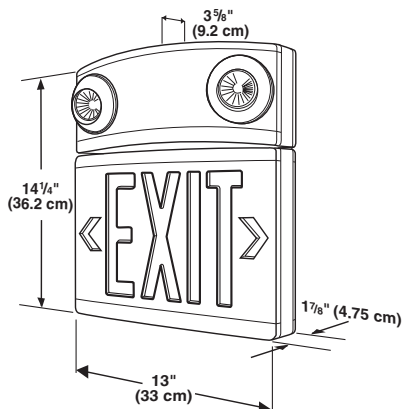
Power Consumption

Maximum: 5.0W at 120VAC or 277VAC (all models)

Normal: 4.2W at 120VAC or 277VAC (all models)

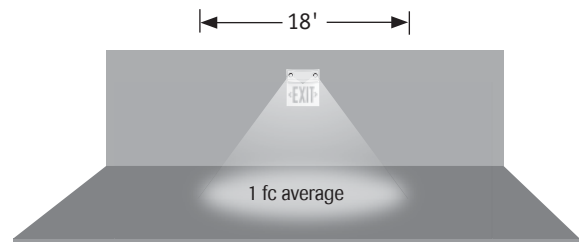
Power Factor, Average: .9 (lagging)

DIMENSIONS

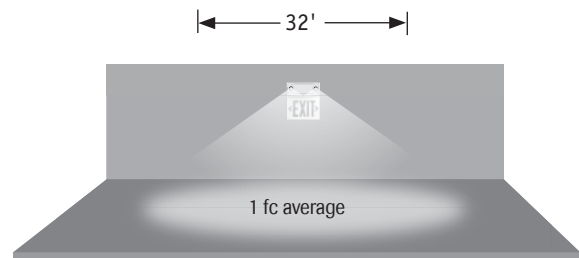


APPLICATION DATA

Coverage for 5W HAL MR16 lamp



Coverage for optional 3W LED MR16 lamp



Meets Life Safety Code minimum illuminance of 0.1 fc and average illuminance of 1.0 fc. Assumes open space with no obstructions, mounting height of 7.5', ceiling height of 9' and reflectances of 80/50/20. Photometry files available on the Dual-Lite web site (www.dual-lite.com).