

# CHLORIDE

by Signify

## Exit/Emergency

Max-Lite series

Hostile environment unit



Project: \_\_\_\_\_  
Location: \_\_\_\_\_  
Cat.No: \_\_\_\_\_  
Type: \_\_\_\_\_  
Lamps: \_\_\_\_\_ Qty: \_\_\_\_\_  
Notes: \_\_\_\_\_

### Example: MN25ZU2IC

Series		Lamp Heads		Lamp Head Qty	IC	Options <sup>2</sup>
6 V, Lead Calcium MC25 – 25 W MC50 – 50 W MC75 – 75 W	12 V, Lead Calcium MTC50 – 50 W MTC75 – 75 W MTC100 – 100 W MTC125 – 125 W MTC150 – 150 W	6 V, Tungsten ZM – 8 W ZN – 18 W ZO – 25 W	12 V, Tungsten ZQ – 12 W ZR – 18 W ZS – 25 W	<b>Blank</b> – No Lamp Heads 1 – One Lamp Head 2 – Two Lamp Heads 3 – Three Lamp Heads	<b>IC</b> – Intelli-Charge Diagnostics	<b>A</b> – Ammeter <b>BD</b> – Battery Disconnect Switch <b>EX</b> – Special Input Transformer (specify voltage & frequency) <b>F1</b> – 120 VAC Fuse <b>F2</b> – 277 VAC Fuse <b>P1</b> – 120 VAC Power Switch <b>P2</b> – 277 VAC Power Switch <b>S</b> – Shatterproof Lexan Lamp Head Lens <b>T</b> – Self-Testing Diagnostics <b>TA</b> – Audible Self-Testing Diagnostics <b>TD</b> – Time Delay (15 minutes) <b>V</b> – Voltmeter
6 V, Nickel Cadmium MN25 – 25 W MN50 – 50 W MN75 – 75 W	12 V, Nickel Cadmium MTN50 – 50 W MTN75 – 75 W MTN100 – 100 W MTN125 – 125 W MTN150 – 150 W	6 V, Halogen ZU – 8 W ZV – 12 W	12 V, Halogen ZW – 8 W ZX – 12 W Z5 – 50 W Z5F – 50 W, Flood			

### Accessories<sup>3</sup> (Order Separately)

**ICIR** – Intelli-Charge Infra-Red Remote  
**WG** – Wire Guard

### Footnotes

<sup>1</sup> For self-testing models refer to options.

<sup>2</sup> Some option combinations may impact UL listing. Consult factory for specifications.

<sup>3</sup> Consult Signify to confirm whether specific accessories are BAA-compliant.

### codes and standards

- UL listed to Standard 924
- UL damp and wet location listed
- IBC, BOCA, and OSHA illumination standard
- NFPA 101 (Life Safety Code)
- NFPA 70 (National Electric Code)
- NSF Standard 2 “Splash Zone”

### construction

- Constructed of impact resistant, fiberglass-reinforced polyester gray housing and includes stainless steel hardware.
- The view-through window allows easy monitoring of the optional voltmeter and ammeter.

### installation

- Wall mounted unit.

### electronics

- 120/277 VAC dual voltage input with surge protection is standard on all models.
- Self-powered models feature the Intelli-Charge where the charging system is microprocessor driven with software embedded diagnostic routine and temperature compensation.
- Self-powered models include brownout detection, AC lockout, low voltage disconnect, AC power indicator, charge status indicator, audible user-interface controls, visual LED system fault indicator, and tactile push-to-test switch.
- Additional equipment safety features include reverse battery polarity detection and protection, and reverse utility power detection and protection.
- All self-powered models include an on board IR receiver for use with the optional hand held remote (ICIR).
- (optional self-testing electronics) The diagnostic/charging platform with optional self-testing mode automatically runs a one minute self-test once a month and a 30 minute test on the sixth and twelfth month in accordance with NFPA 101.

# MC/MN/MT Max-Lite series hostile environment unit

25-150W

---

- A one minute or 90 minute test may be initiated via the push to test switch on the unit or by activating the appropriate test command on the optional IR test device.
- Power Consumption
  - 6 V, 25-50 W: 0.157 A (120 VAC), 0.069 A (277 VAC).
  - 6 V, 75 W: 0.222 A (120 VAC), 0.094 A (277 VAC).
  - 12 V, 50-100 W: 0.289 A (120 VAC), 0.135 A (277 VAC).
  - 12 V, 125 W: 0.433 A (120 VAC), 0.188 A (277 VAC).
  - 12 V, 150 W: 0.470 A (120 VAC), 0.203 A (277 VAC).

## lamps

- Illumination is accomplished with up to three NEMA rated polycarbonate sealed beam Par 36 tungsten or halogen lamp heads mounted on the top of the unit for optimum path of egress illumination.
- Optional shatter resistant shields for lamp heads are available.

## battery

- Maintenance free sealed lead calcium with an operating range of 65°F (19°C) to 85°F (30°C).
- Maintenance free nickel cadmium battery with operating temperature range 32°F (0°C) to 104°F (40°C).
- Provides a minimum of 90 minutes of emergency power.

## warranty

- Five full year warranty on electronics and unit (excluding lamps).

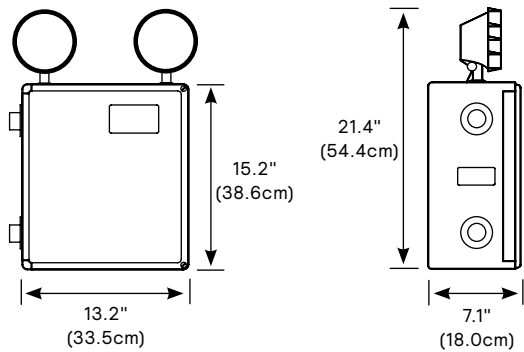
## options

- **A** – The ammeter option includes an analog meter electrically connected to the charging circuit for visual reference and indication of the current level being delivered to the battery.
- **BD** – The battery disconnect switch allows for the electrical switching between the battery and the connected load (lamp heads) whether they be directly mounted to the equipment or installed as remote lamp heads. The switch will be located internally to the equipment and is not made accessible other to those who perform maintenance on the equipment.
- **EX** – The special input transformer option allows for input voltage and frequencies beyond the standard 120/277 VAC, 60 Hz input.
- **F1** – The AC fuse option includes an in-line fuse on the primary winding of the input transformer for additional electronic protection against utility surges or spikes limited to 120 VAC circuits.
- **F2** – The AC fuse option includes an in-line fuse on the primary winding of the input transformer for additional electronic protection against utility surges or spikes limited to 277 VAC circuits.
- **P1** – The AC power switch option includes a toggle switch electrically connected to the primary of the input transformer limited to 120 VAC circuits. This option allows for opening the utility feed to the equipment for servicing or maintenance.
- **P2** – The AC power switch option includes a toggle switch electrically connected to the primary of the input transformer limited to 277 VAC circuits. This option allows for opening the utility feed to the equipment for servicing or maintenance.
- **T** – The self-testing option enables a periodic self-test of the equipment where a test routine is established to perform a one minute test once a month with a 30 minute test performed on the sixth and twelfth month in accordance with NFPA 101. Equipment readiness faults are indicated with a visual LED display.
- **TA** – The audible self-testing option enables a periodic self-test of the equipment where a test routine is established to perform a one minute test once a month with a 30 minute test performed on the sixth and twelfth month in accordance with NFPA 101. Equipment readiness faults are indicated with a visual LED display and an audible alarm.
- **TD** – The time delay circuit causes the emergency lighting equipment to remain under battery power for a period of 15 minutes after the utility power has been restored.
- **V** – The voltmeter option includes an analog meter electrically connected between the battery and lamp load for visual reference and indication of the battery terminal voltage when the equipment is operating in the emergency mode.

# MC/MN/MT Max-Lite series hostile environment unit

25-150W

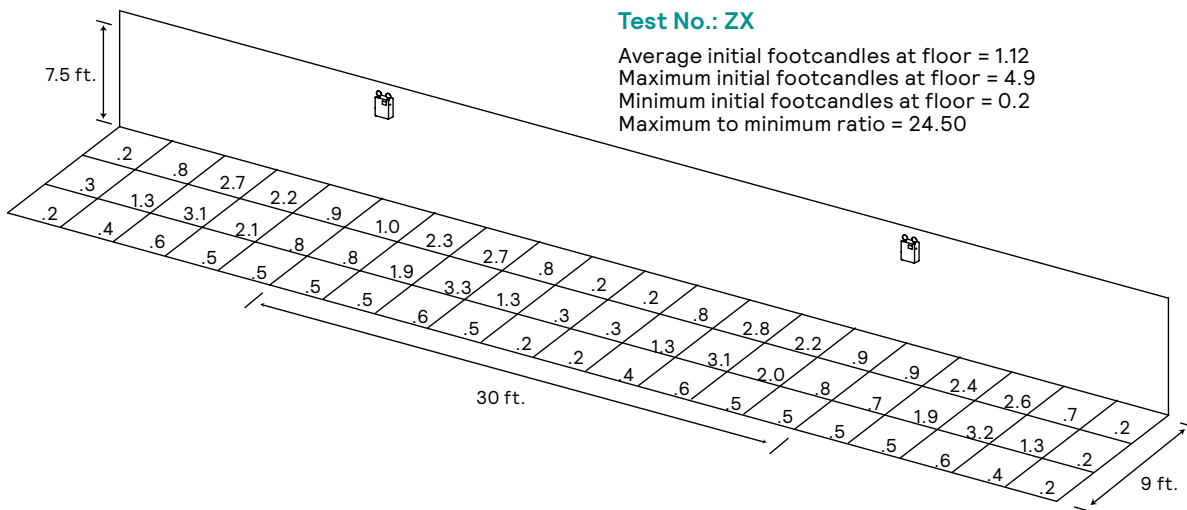
## dimensions



## performance

Meets Life Safety Code illumination standard; average of 1.0 FC, no point less than 0.1 FC, max to min ratio of 40:1. Assumes open space with no obstructions, mounting height: 7.5' and reflectances: 80/50/20. Analysis based on independently tested photometrics.

Wall Mounted 7.5' AFF, 12 V 12 W Halogen Lamp Heads Represented  
1 FC Average



## Buy American Act of 1933 (BAA):

This product is manufactured in one of our US factories and, as of the date of this document, this product was considered a commercially available off-the-shelf (COTS) item meeting the requirements of the BAA. This BAA designation hereunder does not address (i) the applicability of, or availability of a waiver under, the Trade Agreements Act, or (ii) the "Buy America" domestic content requirements imposed on states, localities, and other non-federal entities as a condition of receiving funds administered by the Department of Transportation or other federal agencies. Prior to ordering, please visit [www.signify.com/baa](http://www.signify.com/baa) to view a current list of BAA-compliant products to confirm this product's current compliance.

