

The MINI-COMBO offers a sleek modern design LED combo exit with long lasting LED heads.

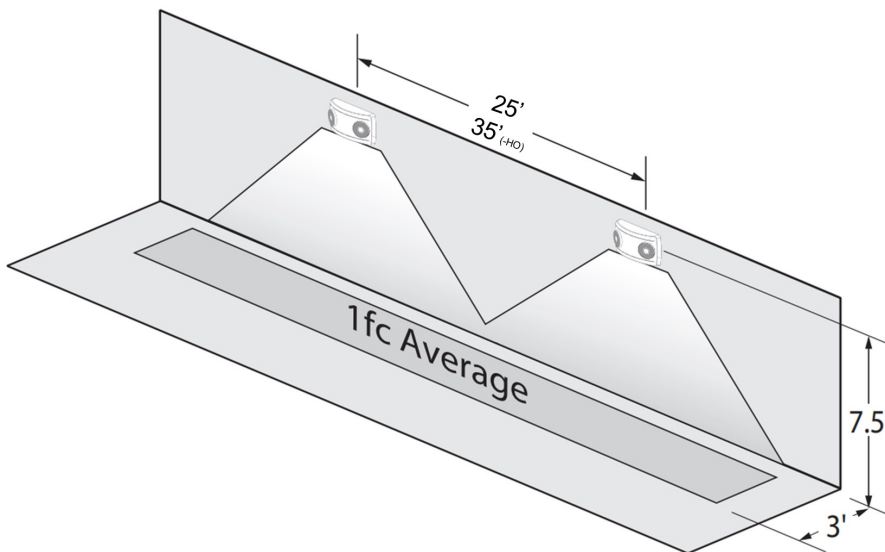
FEATURES

- Dual 120/277 voltage
- Indirect placement for diffused legend output
- Flame-Retardant, High-Impact, Thermoplastic Housing
- Ceiling, End or Back Mount
- Universal Single or Double Face with Field Selectable Chevrons
- Integrated Solid State System
- Constant Current, Controlled Automatic Charger Circuit
- Low-Voltage Battery Cutoff
- Brownout Sensitivity
- Maintenance-Free Rechargeable Sealed Nickel Cadmium Battery
- Test Switch
- Led (power On) Indicator
- CEC Registered
- CSA Listed



WARRANTY

5 Year Warranty

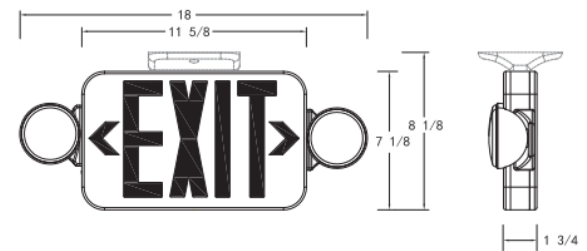


MINI-COMBO

The MINI-COMBO comes standard with universal single or double face

Options:

- * **SD** - Self Diagnostics
- * **RC** - Remote Capable
- * **HO** - High Output
- * **BLK** - Black Housing
- * **P2** - Cord & Plug (120v)
- * **SQ** - Square Heads



Series	Letter Color	Options
MINI-COMBO = LED Combo	- Red = Red	-SD = Self Diagnostics
	- Green = Green	-RC = Remote Capable

