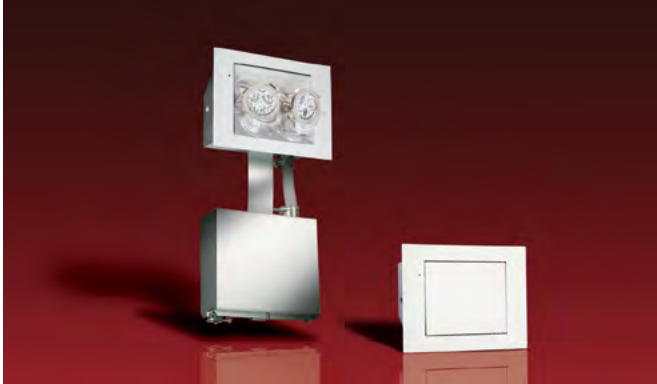


Mini-Phantom™ Series

The full retrofit unseen solution
12V-40W capacities – generator capable



Housing

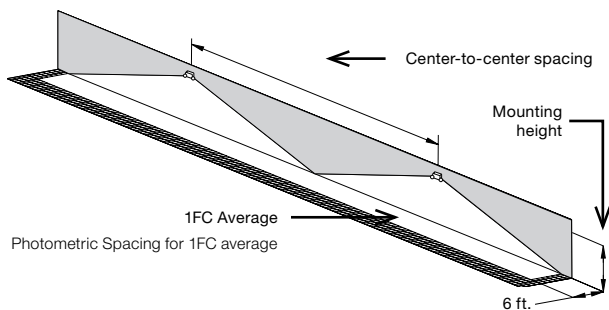
- Galvanized steel back-box
- Easy access to internal components
- Head assembly door and trim plate powder coated in a white finish
- Finish can be customized on site with paint or wallpaper
- Choice of various 12 volt MR16 LED lamp wattages
- Complete 360° head assembly door rotation
- Slip gear mechanism protects unit and objects against forcible stops

Mounting

- Recessed wall or ceiling with cavity mount (retrofit into finished wall)
- Designed to install into an 8-1/4" by 5-3/4" opening
- Key-hole slot for ease of installation

Photometric performance

Lamp	Spacing center-to-center (feet)	
	7 feet mounting height	15 feet mounting height
LD7	49'	39'
LD9	68'	54'
LD10	89'	80'
5OH	160'	171'



Electronics

- Pulse plus charger
- Low voltage disconnect
- Automatic brownout protection
- Battery lock-out
- Fused output circuit
- Optional: Improved Diagnostics
- 120/277 60Hz

Choice of Sealed Maintenance-Free Battery

- 12V Lead-Calcium battery
- 12V Nickel-Cadmium battery

Approval

- CSA-US (To UL 924 standards)
- New York City Approved
- BC – California Energy Commission Title 20

Warranty (subject to proper installation and maintenance)

Unit: five-year limited warranty

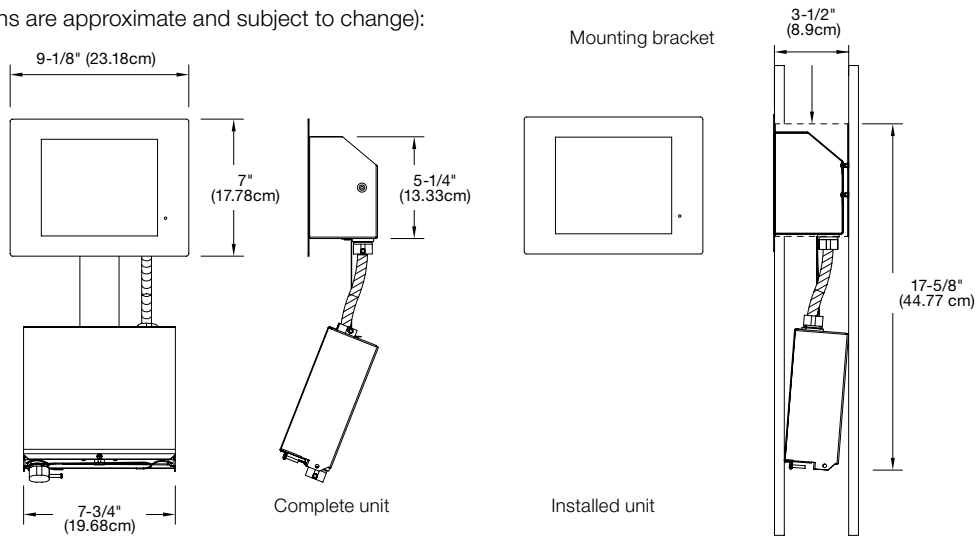
Detailed warranty terms located on **page 197** or online at: www.lightalarms.com



Accessories (Order as a separate item)

Description	Product code
Remote test switch (Metal faceplate)	PSW
Remote test switch (Plastic faceplate)	PSW-1

Dimensions (Dimensions are approximate and subject to change):



Power consumption chart - Non-CEC models

Series	Battery	Voltage	DC Specs							AC Specs			
			Battery capacity (in watts)				Units dual voltage ¹	Current		Power			
			90 Mins	2 Hrs	3 Hrs	4 Hrs		Maximum	Stand by	Maximum	Stand by		
MPHM40	Lead-Calcium	12V	40	30	24	12	120VAC	0.25A	0.25A	30W	11W		
MPHN40	Nickel-Cadmium	12V	40	30	24	12	277VAC	0.12A	0.05A	30W	11W		

¹ Stand-by power consumption is 50% lower for Lead-Calcium Batteries

Power consumption chart - CEC models

Series	Battery	Voltage	90 Mins	DC Specs				Units dual voltage ¹	Current		Power	
				Battery capacity (in watts)					Maximum	Stand by	Maximum	Stand by
				2 Hrs	3 Hrs	4 Hrs						
MRTM40	Lead-Calcium	12V	40	30	24	12	120VAC 277VAC	0.25A 0.12A	-	30W 30W	0.79W 0.79W	

¹ Maximum power when equipped with 2x 50W lamps

Ordering format – Battery unit

Series	Battery	Capacity	Number of heads	Lamp type	Options	Approval
MPH	M = Lead-Calcium N = Nickel-Cadmium	40 = 12V-40W	-2 = Two lamps	MR16 LED (LD7) = 12V-4W (LD9) = 12V-5W (LD10) = 12V-6W	Blank = No options ID = Improved Diagnostics (audible) ¹ IDNA = Improved Diagnostics (non audible) ¹ DL = Damp location ²	-CEC = CEC Title 20 for California ³

Example: MPH40-2(LD7)DL

¹ -ID & -IDNA include a time delay feature that can be enabled/ disabled in the field or set by the factory by including -ID-TD* or -IDNA-TD*

² Available on all models except Lead-Calcium

³ Available with lead-calcium models only

Ordering format – Generator

Series	Input voltage	Number of heads	Lamp type	Options
MPHG = Generator unit	1 = 120VAC, 60Hz 2 = 277VAC, 60Hz	-2 = Two lamps	MR16 LED (LD7) = 12V-4W (LD9) = 12V-5W (LD10) = 12V-6W	MR16 Halogen High Output (50H) = 12V-50W DL = Damp location

Example: MPHG1-2(LD7)DL