



# MRHLED

## LED MINI INDOOR THERMOPLASTIC REMOTE HEAD

ACCESSORIES

### ILLUMINATION

- Adjustable, long lasting, efficient, ultra bright white LED lamp heads.
- One, 0.5 watt white LED per lamp head
- Unique all-inclusive lamp, reflector and lens assembly.

### ELECTRICAL

- Powered from low voltage power source with low voltage wiring (not provided).

### MOUNTING

- Universal mounting adapter plate included. Mounts to single-gang switch box.
- Distance of maximum run is determined by system voltage, wire gauge and total maximum wattage on the run.
- Suitable for wall or ceiling mount.

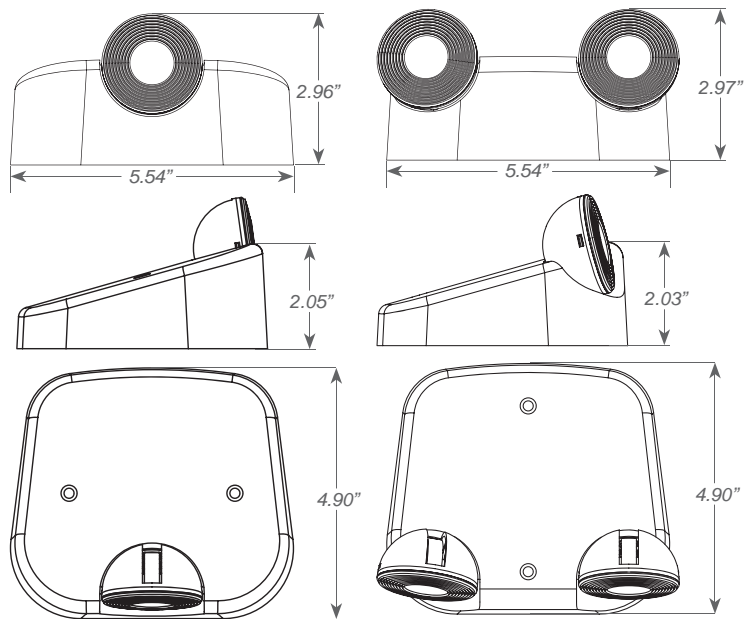
### HOUSING

- Injection-molded, engineering grade, 5VA flame retardant, high-impact resistant, thermoplastic in white or black finish.

### WARRANTY / LISTING

- Five year warranty.
- UL Listed with approved Best Lighting Products.
- Meets UL924, NFPA 101 Life Safety Code, NEC, OSHA, Local and State Codes.

### DIMENSIONS



### FIXTURE COMPATIBILITY CHART

Reference individual unit equipment specification sheets for remote load capacity availability.

MODEL TYPE	3.6V
CKXTEU-RC	X
LEDR-5HO	X
E-1-RC	X
CEU-RC	X
CTXTE-RC	X

### ORDERING INFORMATION

Sample Part Number: MRHLED1-3.6V

MODEL	No. of HEADS	HOUSING COLOR	VOLTAGE
MRHLED	1 Single Head	(blank) White	3.6V For Use With 3.6V DC Power Source
	2 Double Head	B Black	

<sup>1</sup> Wattage rating stated per head.