



# PAR-1

## PAR-TYPE THERMOPLASTIC EMERGENCY UNIT

STANDARD

OPTIONAL



### ILLUMINATION

- Two fully adjustable 5.4 watt glare free PAR-type lamp heads.
- High performance chrome-plated metallized reflector and plastic lens for optimal light distribution.

### ELECTRICAL

- Dual 120/277 voltage.
- Charge rate/power "ON" LED indicator light and push-to-test switch for mandated code compliance testing.
- LVD (low voltage disconnect) prevents battery from deep discharge.
- 6V maintenance-free, rechargeable sealed lead acid battery.
- Internal solid-state transfer switch automatically connects the internal battery to lamp heads for minimum 90-minute emergency illumination.
- Fully automatic solid-state, two rate charger initiates battery charging to recharge a discharged battery in 24 hours.

### MOUNTING

- Universal knockout pattern on back plate for wall mount. Snaps into place making internal electrical connections.
- Knockout for conduit applications.

### HOUSING

- Injection-molded, engineering grade, 5VA flame retardant, high-impact resistant, thermoplastic in white or black finish.

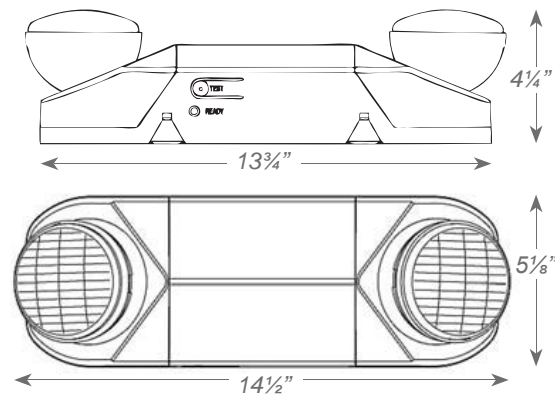
### OPTIONS

- USA: Substantial transformation assembly in the U.S. complies with "Assembled in the USA" under the Buy American Act.

### WARRANTY / LISTING

- Five year warranty on all electronics and housing. Battery prorated for two years.
- Meets UL924, NFPA 101 Life Safety Code, NEC, OSHA, Local and State Codes.
- UL Listed for damp locations (20°C – 40°C).

### DIMENSIONS



### ORDERING INFORMATION

Sample Part Number: PAR-1

Special Voltage options available.  
Check with your Best Lighting representative.

MODEL	HOUSING COLOR	OPTIONS	
PAR-1	(blank) White B Black	USA	Assembled In USA

[www.emergency-lighting.com](http://www.emergency-lighting.com)

UNIT EQUIPMENT

PAR-1