

Project		Catalog #		Type	
Prepared by		Notes		Date	



Sure-Lites

PHL Series Exits

Photoluminescent Exit Lighting


Typical Applications

Office • Education • Healthcare
 • Hospitality • Retail


Interactive Menu

- Order Information page 2
- Product Warranty

Product Certification



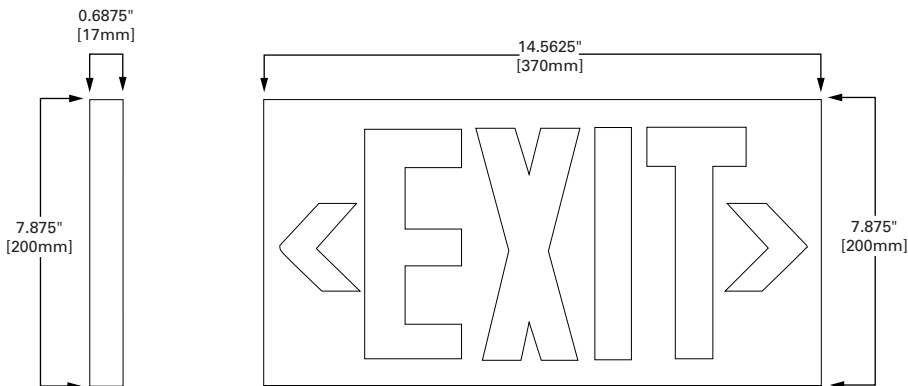
Product Features



Top Product Features

- Photoluminescent “Glow-in-the-Dark” yields 90 minutes of illumination
- Aluminum housing is impact-resistant, corrosion-proof, flame retardant
- No electronics
- Life expectancy of at least 25 years
- Legible viewing distance of at least 50 feet

Dimensional Details



Ordering Information

SAMPLE ORDER NUMBER:

Family	Face Options	Letter Colors	Housing Colors	Accessories
PHL =Photoluminescent Exit	1=Single 2=Double	(Outline) R=Red G=Green	BA =Brushed Aluminum	PHLS =Clear Acrylic Shield PHLJ =Large Canopy (J-Box)

Product Specifications

Electrical

- Non-Electrical
- Energizes from fluorescent lighting
90 minutes of illumination with a legible viewing distance of at least 50 feet
- Minimum 5 foot-candle external unfiltered illumination must be present on the sign at all times of building occupancy

Housing Construction

- Heavy-duty aluminum housing is impact-resistant, corrosion-proof and flame-retardant
- High-brightness strontium oxide aluminate photo-luminescent pigment is applied directly onto housing
- Non-Radioactive and Non-Toxic
- Ceiling, Wall or End Mounting
- Universal, field-selectable chevrons

Code Compliance

- UL 924 Listed, meets Life Safety NFPA 101,
- ULC Listed, Most State and Local Codes

Warranty

- Exit: 5 year
- Rated Life: 25+ years