

Prestige™ X40 Series

Edge-lit recessed ceiling-mount exit sign



Construction

- Trim plate, trim ring and canopy made of die-cast aluminum
- U-shaped clear acrylic Legend panel features laser-etched letters and chevrons
- 6 inch EXIT lettering legend, available in red or green
- 8 inch EXIT lettering legend, available in red
- Choice of finishes: white, black or brushed aluminum, polished brass, polished chrome or bronze

Mounting

- Hanger bars included for lay-in installation in t-bar grid
- Housing provided with conduit knock-out 1/2", top, back and end
- Flat trim plate used for recessed ceiling mount only applications

Special wording panels

- Available. Contact your sales representative with your design requirements

Electronics

- Optional Advanced Diagnostics
- Optional Nexus® monitoring system
- 120-277 60Hz

Approvals

- UL 924 listed
- Meets NFPA101 (Life Safety Code), NFPA 70 NEC, OSHA illumination standards
- E-California Energy Commission Title 20

Warranty

- Unit has a five-year limited warranty
- Detailed warranty terms located on page 202 or online at:
www.emergi-lite.com/usa/files/EL_Warranty.pdf

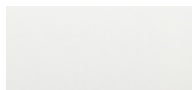
Power consumption

Model		AC specs		DC specs
AC-only	120 to 277VAC, 60Hz	Less than 1.4W	–	–
AC/DC-remote	120 to 277VAC, 60Hz	Less than 1.4W	6 to 24VDC	Less than 1.4W
Self-powered	120 to 277VAC, 60Hz	Less than 2.3W	Ni-Cd battery	Min. 90 minutes
Self-powered diagnostic	120/277VAC, 60Hz	Less than 2.3W	Ni-Cd battery	Min. 90 minutes

Housing color



Brushed aluminum



White



Black



Polished brass



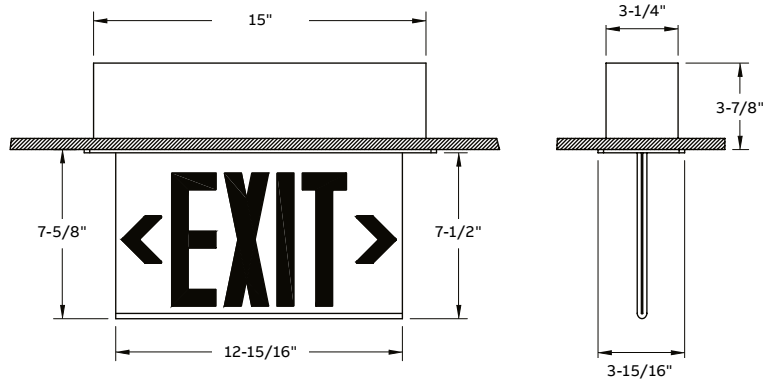
Polished chrome



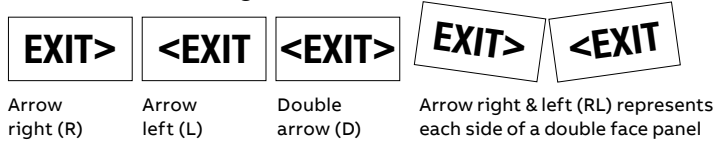
Dark bronze
(painted)

Dimensions

Dimensions are approximate and subject to change.



Arrow (chevron) designation



Wording and chevrons not to scale. For illustration purposes only.

Accessories (order as a separate item)

Description	Suffix ¹
Special wording	Contact your sales representative
Two 27-inch adjustable bar hangers ¹	TBH

¹Bar hangers supplied with unit, order as replacement only

How to order

Housing	Series	Faces	Designation	Legend color	Background color
Blank = Brushed aluminum	LX = AC-only	40 = Less panel	N = New design	R = Red	C = Clear (single face only)
W = White	LSNX = Self-powered	42 = Single face		G = Green	W = White
B = Black		43 = Double face			M = Mirror
PB = Polished brass					
CH = Polished chrome					
BR = Bronze					
	Arrows	Options			Legend size
	Blank = No arrow	Blank = No option			Blank = 6" EXIT legend
	D = Double arrow	-AD = Advanced Diagnostics (non-audible) ¹			-8 = 8" EXIT legend (red only)
	L = Arrow left	-NEX = Nexus® wired ¹			-LP = Panel shipped separately
	R = Arrow right	-NEXRF = Nexus® wireless ¹			-X = Back box shipped separately
	RL = Right & left (double face)	-DC = AC/DC remote 6-24 VDC			
	UA = Universal field installed arrows	-FA = Fire alarm ¹			
		-FZ = Flasher & buzzer ¹			
		-2CKT = Two circuit, AC only			

Example: WLSNX42NRWR-AD

¹Self-powered only