

The thin profile of the QXT exit and its sleek design provides reliable, uniform illumination in an economical package. This economical design offers long-life dependable service in multiple field-selectable configurations and matches the **QCRT** combination exit/unit. A snap-in canopy is included for easy top mount installations. Each unit ships with an extra stencil face for single- or double-face applications.

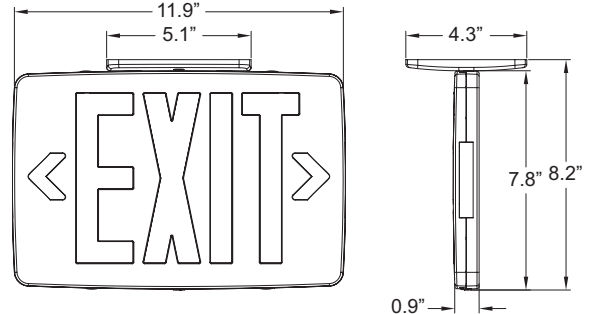
FEATURES & BENEFITS

- Universal, field-selectable single- or double-face
- Easy snap-out, field-selectable chevrons
- Suitable for Damp Locations
- Suitable for ceiling, end or wall Mount
- California Energy Commission (CEC) Title 20 Compliant

SPECIFICATIONS

- Illumination:** Legend: Long-life, high-intensity LEDs
- Housing:** Injection-molded UL 94 5VA flame-retardant high-impact resistant thermoplastic enclosure
- Electrical Input:** 120/277VAC Dual primary, 60Hz
- Battery:** Maintenance-free 1.2V NiCad battery
- Operating Temp:** 0°C to 50°C (32°F to 122°F)
- Run Time:** 90 Minute emergency run time, 24 hour recharge time
- Legend:** Fully illuminated 6" characters with 3/4" stroke
- Mounting:** Ceiling, end or wall mount, canopy included
- Finish:** White
- Certifications:** UL 924 Listed for Damp Locations
Meets NFPA 101 Life Safety Code, NEC, OSHA
California Energy Commission (CEC) Title 20 Compliant
- Warranty:** Any component that fails due to a manufacturing defect is guaranteed for three years with a separate five year prorated warranty for NiCad batteries. The warranty does not cover physical damage, abuse or instances of uncontrollable natural forces. See the full Exitronix warranty document for detailed information. (Terms and conditions apply)

Model: _____ Date: _____
 Accessories: _____
 Job Name: _____ Type: _____



ORDERING INFORMATION Example: QXT-R-WB-WH

Series	Legend Color	Power Source	Finish
QXT	R = Red Letters	[BLANK] = AC Only WB = Battery Backup	WH = White

ULTIMATE PERFORMANCE. UNPARALLELED VALUE.

CONSTRUCTION

The QXT is an injection-molded enclosure constructed of UV-stabilized, UL 94 5VA flame-retardant, high-temperature, high-impact thermoplastic. Fixtures resist denting, peeling, scratching and corrosion. Toolless access provided for easy maintenance. Universal J-box mounting pattern with keyhole slots and snap-together design provide simple installation. NFPA approved field-selectable chevrons. An extra stencil face is included for field-selectable single- or double-face.

ILLUMINATION

Fully illuminated 6" letters with 3/4" stroke is achieved with high-output, long-lasting LEDs. Color-matched diffusers eliminate hot spots and striations, providing optimal light output.

ELECTRICAL

Input

Dual-voltage input 120 or 277VAC @ 60Hz.

Nickel Cadmium Battery – NiCad

Exitronix nickel cadmium batteries are maintenance free.

Emergency

The QXT Series exit will operate for a minimum of 90 minutes during a loss of power with a 24 hour maximum recharge time for the battery.

Solid-State Transfer

The circuit features solid-state switching for emergency lighting, eliminating concerns of damaged contact or mechanical failures associated with relays. The switching circuit detects a loss of line voltage and automatically switches to emergency mode.

Test Button

The test button is easy to locate and provides manual verification of the transfer circuit.

INSTALLATION

Simple, snap-together universal design allows for faceplate and backplate to be fully interchangeable. Mounting canopy is supplied with all signs and snaps into enclosure with two (2) positive locking tabs.

Damp Location Rated

Damp Location Rated fixture that is normally or periodically subject to condensation of moisture in, on or adjacent to, and includes partially protected locations.

CONFORMANCE TO CODES & STANDARDS

The QXT Series is UL 924 Listed for Damp Locations and meets or exceeds the following: CEC, NEC requirements and NFPA 101.

ULTIMATE PERFORMANCE. UNPARALLELED VALUE.