

R-7

INCANDESCENT RECESSED STEEL EMERGENCY UNIT



STANDARD | OPTIONAL



ILLUMINATION

- Two fully adjustable 5.4 watt par type lamp heads.
- High performance chrome-plated metal reflectors and plastic lens for optimal light distribution.

ELECTRICAL

- Dual 120/277 voltage.
- Charge rate/power "ON" LED indicator light and push-to-test switch for mandated code compliance testing.
- LVD (low voltage disconnect) prevents battery from deep discharge.
- 6V maintenance-free, rechargeable sealed lead acid battery.
- Internal solid-state transfer switch automatically connects the internal battery to lamp heads for minimum 90-minute emergency illumination.
- Fully automatic solid-state, two rate charger initiates battery charging to recharge a discharged battery in 24 hours.

MOUNTING

- Bar hangers on the back box for recessed mount.
- Compatible with drop ceiling mount installations. Bar hangers included.

HOUSING

- Durable 20-gauge steel trim plate in white or black finish.
- Trim securely attached to housing with spring clips.

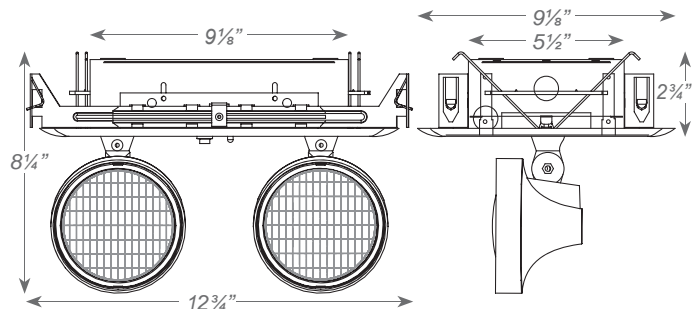
OPTIONS

- SDT: Self-diagnostic feature performs monthly, biannual, and annual tests to ensure reliable operation and meets electrical and life safety codes.
- USA: Substantial transformation assembly in the U.S. complies with "Assembled in the USA" under the Buy American Act.

WARRANTY / LISTING

- Five year warranty on all electronics and housing. Battery prorated for two years.
- Meets UL924, NFPA 101 Life Safety Code, NEC, OSHA, Local and State Codes.
- UL Listed for dry locations (25°C).

DIMENSIONS



ORDERING INFORMATION

Sample Part Number: R-7

Special voltage options available. Check with your Best Lighting representative.

MODEL	HOUSING COLOR	OPTIONS
R-7	(blank) White	SDT Self-Diagnostics
	B Black	USA Assembled In USA

www.emergency-lighting.com

UNIT EQUIPMENT

R-7