

## RD-CH Series

Recessed steel housing lead-calcium battery unit



A decorator-friendly low-profile ceiling or wall-mount emergency light to suit any décor.

### Housing

- 20 gauge steel housing designed for easy access to internal components
- Corrosion-resistant baked enamel mist white finish standard, black optional
- Provision for mounting up to 2 lighting heads

### Mounting

- Ceiling or wall mount; mounting brackets included for lay-in installation in T-bar grid ceiling as well as dry wall

### Electronics

- Automatic, temperature-compensated, pulse-type charger
- High capacity, automatic, dust-tight instantaneous transfer relay
- Low voltage disconnect prevents over discharge of battery
- Automatic brownout protection is provided
- Battery lock-out prevents battery discharge during installation
- Fused output circuit

### Improved Diagnostics option

- Units equipped with Improved Diagnostics shall self-test, by simulating a power failure, in accordance with NFPA101, Life Safety Code one minute monthly, 30 minutes every six months and 90 minutes annually.

### Controls

- Red charger monitor LED indicates charging of the battery
- Amber AC-ON LED indicates AC power is on
- Momentary test switch allows for quick operational check of entire system

### Sealed maintenance-free battery

- 2V lead-calcium battery

### Approvals

- UL 924 standard
- Meets City of Chicago requirements

### Warranty (subject to proper installation and maintenance)

- Unit has a three-year full warranty (excluding lamps and fuses)
  - Lead-calcium battery has a three year full, plus three year pro-rata warranty
- Detailed warranty terms located at: [www.lightalarms.com](http://www.lightalarms.com)



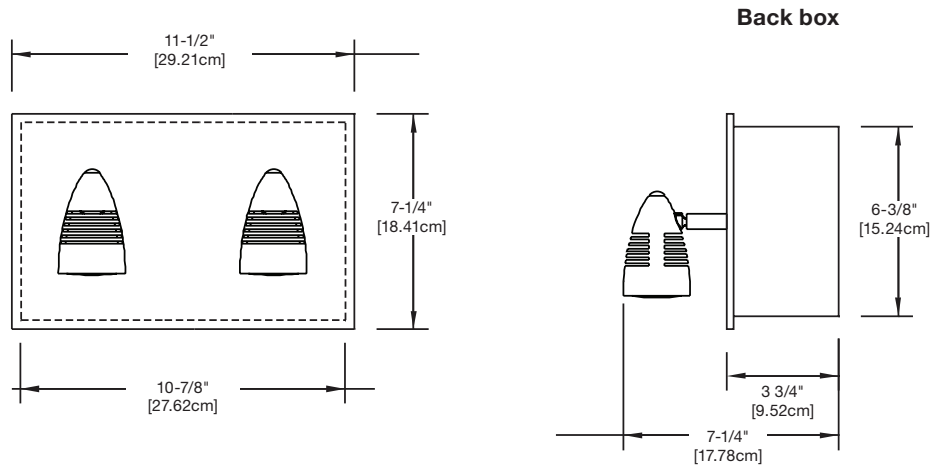
### Power consumption chart

Series	Battery type	DC Voltage	DC specs				Units dual voltage <sup>2</sup>	AC specs
			Battery capacity (in watts) <sup>1</sup>					
			90 Mins	2 Hrs	3 Hrs	4 Hrs		
RD12M3	Lead-Calcium	12V	36	25	20	14	120VAC / 277VAC	0.3A / 0.15A

<sup>1</sup>National Electrical Code specification

<sup>2</sup>All units 120/277 dual voltage, information based on wiring to specific voltage type

**Dimensions** (Dimensions are approximate and subject to change):



**Accessories** (Order as a separate item)

Description	Product code
Wire guard (DR1130 heads)	WG6-L
Remote test switch (metal faceplate)	PSW
Remote test switch (plastic faceplate)	PSW1

**Ordering format**

# of heads	Series/capacity	Head style	Series	Lamp type	Options
<b>Blank</b> = No heads 1= 1 head 2= 2 heads 3= 3 heads	<b>Lead-calcium battery</b> <b>RD12M3</b> = 12V-36W	<b>/D1</b> = DR1130 (MR16, Metal)	<b>CH</b> = City of Chicago approved	<b>LD7</b> = 12V-4W, MR16 LED <b>LD9</b> = 12V-5W, MR16 LED <b>LD10</b> = 12V-6W, MR16 LED	<b>Blank</b> = Mist white housing, no options <b>-B</b> = Black housing <b>-ID</b> = Improved Diagnostics (audible)

**Example: 2RD6M2/LHK**