

RHLED

LED INDOOR THERMOPLASTIC REMOTE HEAD



ACCESSORIES

ILLUMINATION

- Long lasting, efficient, ultra bright white LED lamp heads.
- 1.0 watt (8 LEDs x 0.125 watt) per head.
- High performance chrome-plated metalized reflector and plastic lens for optimal light distribution.
- Adjustable LED lamp heads provide optimal center-to-center spacing.
- Optional high lumen heads are 1.5 watts (12 LEDs x 0.125 watt per head) and provide increased center-to-center spacing.

ELECTRICAL

- Powered from low voltage power source with low voltage wiring (not provided).

MOUNTING

- Universal mounting adapter plate included. Mounts to single-gang switch box.
- Distance of maximum run is determined by system voltage, wire gauge and total maximum wattage on the run.
- Suitable for wall or ceiling mount.

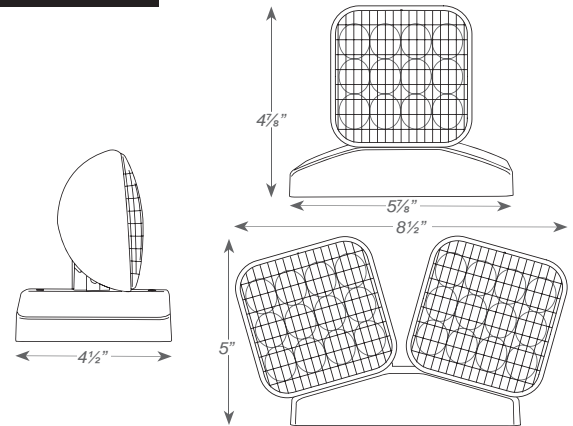
HOUSING

- Injection-molded, engineering grade, 5VA flame retardant, high-impact resistant, thermoplastic in white or black finish.

WARRANTY / LISTING

- Five year warranty.
- UL Listed with approved Best Lighting Products.
- Meets UL924, NFPA 101 Life Safety Code, NEC, OSHA, Local and State Codes.

DIMENSIONS



FIXTURE COMPATIBILITY CHART

Reference individual unit equipment specification sheets for remote load capacity availability.

BEST LIGHTING MODEL TYPE		
EZXTEU-RC*	LEDCXTEU-RC	CXTEU-RC*
CLPU	CEU-RC	CKXTEU-RC
LEDR5HO	R-5HO*	E-1-RC
R-16HO*	RMR-16-65/125	LEDTFX-2
TFX-2	DXR	CADXR
CAR	NYDXR	LEDCADXR
LESDXR627	CWLEZXTE-RC	RMLEDCXTE-RC
RMCLPU-RC	CALEDCXTE-RC	

* SDT versions of the fixtures are not compatible with the RHLED heads..

RHLED

ORDERING INFORMATION

Sample Part Number: RHLED1-MV

¹ Wattage rating stated per head.

MODEL	No. of HEADS	OPTIONS	VOLTAGE	COLOR	LAMP TYPE ¹
RHLED	1 Single Head	(blank)	MV For Use With 3.6V, 6V, 9.6V & 12V DC Power Source	(blank)	(blank) 8 LEDs 1W
	2 Double Head	SDT For Use With Fixtures With A Self-Diagnostic Option		B Black	HL 12 LEDs 1.5W

www.emergencylighting.com