

# RHR

## INCANDESCENT INDOOR ROUND THERMOPLASTIC REMOTE HEADS



ACCESSORIES

### ILLUMINATION

- Smooth chrome-plated metalized reflector with glass lens for optimal light distribution.
- Adjustable lamp heads with 6V and 12V wedge base incandescent lamps.

### ELECTRICAL

- Powered from low voltage power source with low voltage wiring (not provided).

### MOUNTING

- Universal mounting adapter plate included. Mounts to single-gang switch box.
- Distance of maximum run is determined by system voltage, wire gauge and total maximum wattage on the run.
- Suitable for wall or ceiling mount.

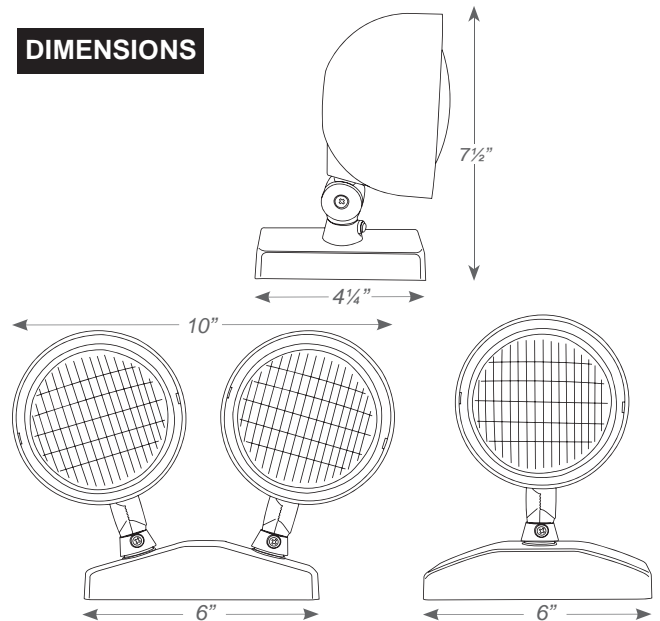
### HOUSING

- Injection-molded, engineering grade, 5VA flame retardant, high-impact resistant, thermo-plastic in white or black finish.

### WARRANTY / LISTING

- Five year warranty.
- Meets UL924, NFPA 101 Life Safety Code, NEC, OSHA, Local and State Codes.

### DIMENSIONS



### FIXTURE COMPATIBILITY CHART

Reference individual unit equipment specification sheets for remote load capacity availability.

MODEL TYPE	6V	12V	MODEL TYPE	6V	12V
NYDXR-50		X	TFX-2	X	
RMR-16-65	X		NYDXR-27	X	
RMR-16-125		X	EZXTE-RC	X	
R-5HO	X		CXTE-RC	X	
R-16-HO	X		DXR-125/1210		X
DXR-65/610	X		CALEDCXTE	X	
LEDCADXR	X		CADXR-65/610	X	
LEDSDXR	X		CADXR-125/1210		X
CWLEZXTE-RC	X		LEDCADXR	X	
CAR-65	X				
CAR-125		X			

### ORDERING INFORMATION

Sample Part Number: RHR-1-6V5.4W

MODEL	No. of HEADS	COLOR	VOLTAGE	WATTAGE <sup>1</sup>
RHR	1 Single Head	(blank) White	6V For Use With 6V DC Power Source	5.4W 5.4 Watts <sup>2</sup>
	2 Double Head	Black	12V For Use With 12V DC Power Source	7.2W 7.2 Watts
				12.0W 12.0 Watts

<sup>1</sup> Wattage rating stated per head.

<sup>2</sup> Available in 6V units only.